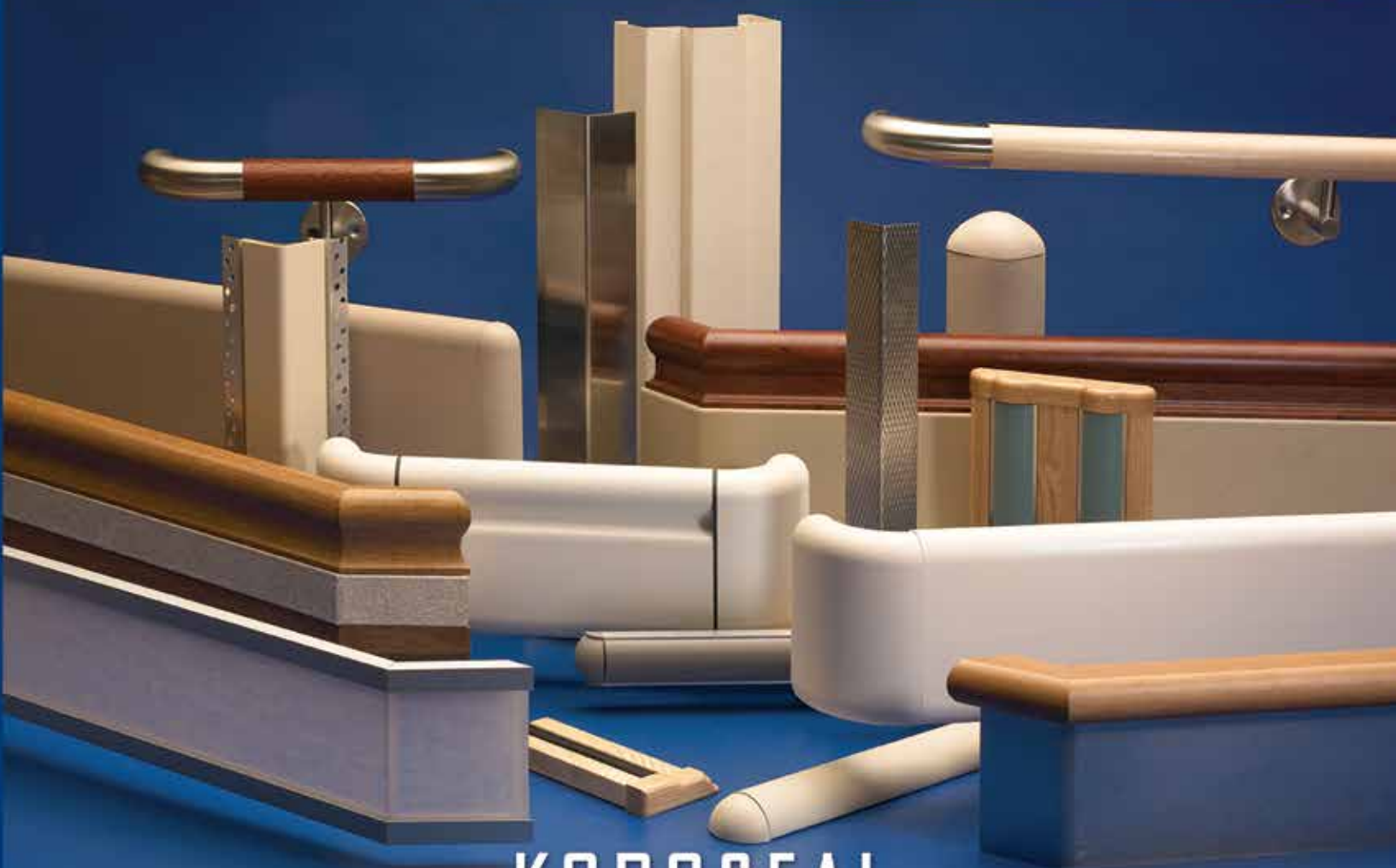




**KOROGARD®**  
WALL PROTECTION SYSTEMS



10.26.00



**KOROSEAL**  
Interior Products, LLC



Handrails • Chair Rails • Crash Rails • Bumper Rails • Corner Guards • Custom Formed Products  
Protective Wallcoverings • Traffic Patterns® Decorative Wallcoverings **KOROGARD.COM**





## Protect your walls in style.

Koroseal Interior Products takes an innovative approach to total wall protection. Our products have found a home in facilities across the nation. From the most notable sports venues to the highest trafficked retail and transit buildings, Korogard products are attractive, yet stand tough against the serious demands of everyday wear and tear.

## Allow us to introduce our family of products.

Bellagard®, Korogard's newest product collection, incorporates beautiful materials such as BellaLucent Rails, BellaStone Composites, BellaLaminates, Sculpted Wall Panels, Powder Coated Metals, Elegant Metals, and Elegant Woods. Bellagard is a new concept in interior wall finishings.

Our pursuit to consistently deliver innovative products has spurred the development of Korogard *ETS*. This product series is manufactured with a unique blend of high-performance materials and recycled aluminum. Composed of corner guards, handrails, crash rails, and wallcovering options, Korogard *ETS* is the new choice in wall protection.

Imagine protecting your walls with a wallcovering that doubles as a marker board or a projection screen. You'll experience this type of flexibility with walltalkers® innovative product line. Offering a remarkable seamless writing and/or projection surface, walltalkers can be used to resurface chalkboards for complete wall-to-wall dry erase coverage.

Koroseal's® family of products also includes 54" Flexible Wallcoverings. Produced using 100% water-based inks and cadmium-free materials, Koroseal and Victrex® wallcoverings provide attractive and virtually maintenance-free choices for high-traffic interiors.

What are you waiting for? We hope you enjoy the many product options outlined in our brochure. If you don't see what you're looking for, give us a call at 800-628-0449.

# Table of Contents

- 2 Bellagard® Wall Finishings
- 4 Traffic Patterns®
- 6 Limitless Applications
- 8 New Products
- 10 LEED® Credits



- 12 Korogard® ETS
- 13 Handrails
- 19 Chair Rails
- 23 Crash Rails
- 27 Bumper Rails
- 29 Corner Guards



BIM Revit-Ready files now available at [korogard.com](http://korogard.com)!



- 35 Custom Formed Products
- 37 Door Frame Guards & Door Edge Protectors
- 38 Custom Solutions
- 40 Protective Wallcovering, Kickplates & Pushplates, Rub Strips, & Perforated Wallcovering



- 41 Beadboard & Korowood™ Wallcovering
- 42 Color Options
- 43 Korogard Metallic Options, Korowood Hardwood Finishes, & Korogard Textures
- 44 Technical Data

Korogard now offers *ETS* products with recycled aluminum.





# BEAUTIFUL PROTECTION

You can have it all – beauty and functionality in one unique wall finishing.

Bellagard® Wall Finishings combine aesthetics and wall protection into one distinctive product collection.

Incorporating striking materials such as BellaLucent Rails, BellaStone Composites, BellaLaminates, BellaGage, Sculpted Wall Panels, Powder Coated Metals, Elegant Metals, and Elegant Woods, Bellagard is an innovative concept in interior wall finishings.

Designed for use in high visibility areas, including lobbies, conference rooms, and hallways, Bellagard will help your project achieve extraordinary levels in appearance and protection.

Flexibility is a key component of Bellagard Wall Finishings. A large number of patterns, colors, wood, and metal options provide you with unmatched choices for your building's interior.

# BELLA

WALL FIN



- Chair Rails
- Handrails
- Sculpted Wall Panels
- Traffic Patterns® Decorative Semi-Rigid Wallcovering
- Textured Stainless Steel Corner Guards, Kickplates, & Pushplates

## The Next Generation

KOROSEAL® VICRTEX® KOROSEAL® STUDIOS KOROGARD®

KOROSEAL® VICRTEX® KOROSEAL® STUDIOS KOROGARD®



# GARD

ISHINGS

of Wall Finishings

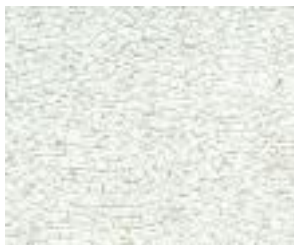
# Traffic Patterns®



Whether your environment calls for high-traffic protection or high-fashion appeal, Traffic Patterns® has your walls covered. Combining the aesthetic beauty of designer wallcovering with the durability of wall protection, Traffic Patterns wallcoverings bring elegance to your interior while protecting the walls.



**Urban Wave—Pearl**  
TP-69001



**Terrace—Agra**  
TP-F721-07



**Gridlock—Palisades**  
TP-G521-11



**Chimayó—Cottonwood**  
TP-C521-08



**Isis—The Golden One**  
TP-6921-15



**Orleans—Cinnamon**  
TP-R921-48



**Highlander—Pivot Point**  
TP-H921-89



**Malay—Bermuda**  
TP-LY28-71



**Poseidon—Gambia**  
TP-Z521-49



**Strille—Bronze**  
TP-U721-53

**Note:** When considering a wallcovering pattern, please call for a sample to verify color and pattern choice.

## Traffic Patterns®

Traffic Patterns® decorative wallcovering is “the answer.” Providing durable wall protection with aesthetic appeal, Traffic Patterns delivers the attractiveness and variety of Koroseal®, Victrex®, and Koroseal® Studios wallcoverings.

### Benefits

- Decorative design flexibility of Koroseal, Victrex, and Koroseal Studios wallcovering patterns and colors—1,000s of choices!
- Creates abrasion-resistant barrier
- Cleanability and impact-resistant wallcovering reduces maintenance costs
- Meets Class A fire code requirements
- Meets national building standards
- Low-Emitting: Meets California Indoor Air Quality Specifications 01350 and contributes to a building achieving LEED® Credit EQ 4 (Schools, Retail, Healthcare)







## Features

- Koroseal®, Victrex®, or Koroseal® Studios wallcovering laminated on an impact-resistant extruded base and capped with protective film
- Decorative semi-rigid .030" thick protective wallcovering (custom sizes available up to .060" thickness, call for details)
- Manufactured from woven (osnaburg), fabric-backed and non-woven 21 oz. or 28 oz. wallcovering
- Available in 48" x 96" sheets

## Advantages

- Traffic Patterns is an unparalleled product
- Combines the durability of interior wall protection with the aesthetic appeal of wallcovering
- Ideal for nursing homes, healthcare facilities, corporate settings, assisted living communities, hospitality settings, restaurants, retail, and educational facilities
- Best suited for light- to medium-abrasion areas subject to soiling and scuffing
- Easy to clean and maintain



**Samoa—Sea Grass**  
TP-A921-81



**Isis—Veil**  
TP-6921-81



**Abyss—Ocean**  
TP-69081



**Pentimento—Viviano**  
TP-4P21-96



**Pulse—Alternator**  
TP-7521-92



**Delineate—Mirror Image**  
TP-D821-96



**Bond Street—Bruton Lane**  
TP-4B21-25

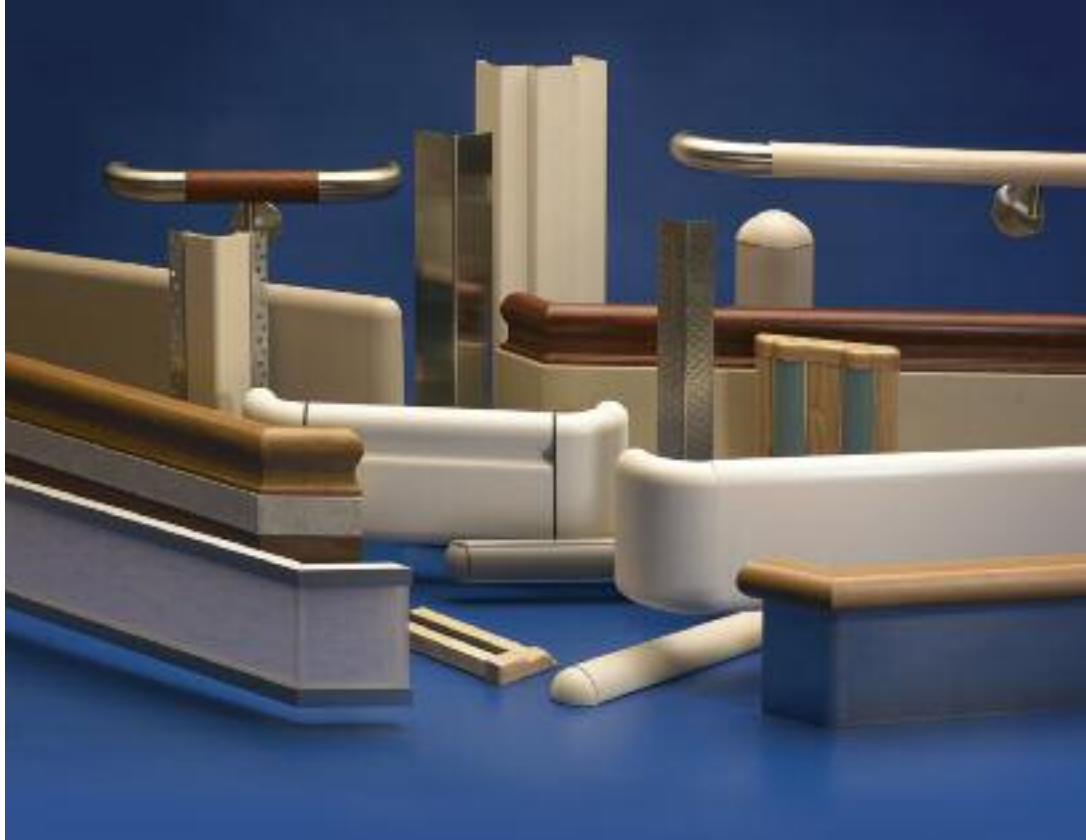
Traffic Patterns Strille—Mandarin Crimson



**Note:**  
When considering a wallcovering pattern, please call for a sample to verify color and pattern choice.

# Limitless Applications

Designed for use in assisted living, athletic, corporate, education, healthcare, hospitality, retail, and transit setting interiors, Korogard® products are engineered to provide exceptional life-cycle value. What is life-cycle value? Life-cycle value means that Korogard products save time and money in the long run due to reduced maintenance and replacement costs.



## Assisted Living

When it comes to wall protection, assisted living facilities require excellence in both function and aesthetics. From our Korowood™ line of hardwood wall protection products to our innovative Bellagard® Wall Finishings, Korogard offers an assortment of elegant wall protection choices.



## Athletics

When your spectators are enjoying the heart pounding play-by-play action, and players are celebrating a much-deserved victory, the last thing you want to worry about is the condition of your walls. Whether you're outfitting VIP box seating, a professional sports stadium, or high-traffic locker rooms, Korogard is cut out for the challenge. Trust your walls to the most durable, reliable choice for total wall protection.





## Corporate

Corporate facilities usually undergo light to medium wall abuse. Korogard® and Bellagard® feature an array of wall finishing products ideal for office and business settings. In addition, Korogard and Bellagard products can be color-coordinated to match your existing design scheme.



## Education

From maximum-impact crash rails ideal for high-traffic high school settings to low-impact wallcoverings designed for nursery and elementary schools, Korogard meets the requirements of a variety of educational institutions.

## Healthcare

The most demanding wall protection applications are usually found in healthcare facilities, with daily abuse from carts and gurneys, wheelchairs, and janitorial apparatus. Korogard's extensive line of wall protection products includes high-impact wallcoverings, crash rails, corner guards, handrails, bumper guards, and chair rails.



Limitless Applications



## Hospitality

Hotels, theme parks, country clubs, resorts, athletic clubs, and restaurants—all are high-traffic facilities, which require superior wall protection. At Koroseal, our wall protection products are designed to meet the demands of all sorts of crowds, and our tremendous selection of patterns and colors will coordinate with your current motif.

## Retail

As customers push carts through your store or lean merchandise against your walls, anything can happen. With Korogard, however, your walls will stand up to even the busiest shopping sprees. Ideal for everything from restrooms to showroom floors to administrative areas, Korogard can be found in retail applications ranging from local independent shops to national outlet chains.

## Transit

When people are in a hurry, the condition of your walls is the last thing on their minds. Thankfully, Korogard can provide your transit facility with wall protection you can count on. Whether you're outfitting a train station, airport, or bus station, Korogard is the only name you need to know.

# New Products



Korogard® has expanded our product collection to provide many new design solutions including the new VersaRail, a combination handrail and crash rail. We have also introduced the attractive decorative beadboard, an excellent way to create a multi-dimensional appearance while preserving the lifetime of your walls. Korogard is also proud to release the new stainless steel HS7S Handrail. Lastly, wood grain finishes are now offered for a number of Korogard handrails, chair rails, and corner guards, a beautiful solution to achieve the warmth of wood at a fraction of the cost.



Above: BellaLucent Handrail



## VersaRail

- Combination handrail and crash rail
- Available with vinyl cover or wood top and bottom
- Available with vinyl or wood returns
- Vinyl is available in 50 standard colors with no minimums
- Wood is available in Red Oak, Maple, Cherry, Ash, Poplar, and Eucalyptus with three standard finishes: Clear Varnish, Red Oak Stain, and Cherry Stain; or stained to match your specification
- FSC®-Certified Wood available upon request\*
- Custom colors available (minimums apply)

\*FSC-C117062

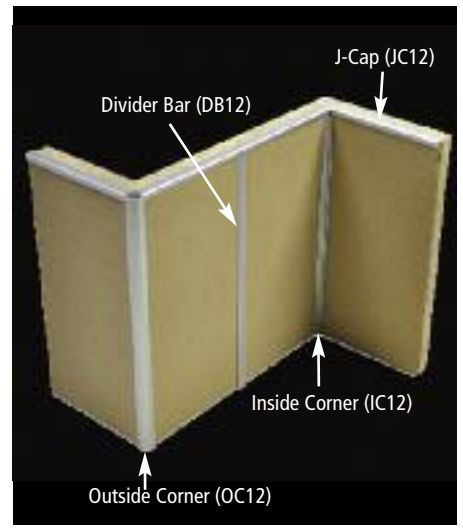


## Korogard products now available as BIM objects!

- Our products have been modeled for easy insertion into your 3-D design
- Process accelerates and streamlines your design cycle with increased efficiency
- We want to be a participant in your design process and a part of your A/E/C collaboration
- BIM allows you to coordinate and quantify the wall protection elements of your project
- Process makes the project easier from planning to construction through maintenance
- With enhanced visual characteristics and real-time updates, designs using our models couldn't be easier!







## Korogard® Beadboard

- Decorative sheet features a beadboard pattern to create a unique, multi-dimensional appearance
- Semi-rigid sheet provides protection against high-traffic abuse to preserve the lifetime of your walls
- Standard thickness: .040" and .060"
- Standard size: 48" x 96"
- Available in 50 standard Korogard colors as well as 10 Korowood™ wood grain patterns and 4 metallic options
- Custom sizes available (minimums apply)
- Meets Class A fire code requirements

## HS7S Handrail

- 1-1/2" stainless steel handrail with full grip and stainless steel ends and mounting brackets
- HS7S system is supplied factory-fabricated, finished, and assembled for ease of installation

## Aluminum Moldings

- Korogard j-cap, inside corner, outside corner, divider bars can now be specified as aluminum
- An ideal complement to stainless steel handrails, chair rails, and corner guards
- A unique selection for finishing wallcovering that will add a modern appeal



## Wood Grain Finishes

- Available for G100, G200, R100, R400, H100, H500, H600, C400, C600, and B300
- Available in American Natural, Red Alder, Auburn Pear, Shaker Cherry, Rustic Cherry, and Summer Flame
- G100, G200, and B300 have solid colored ends
- H100, H500, H600, C400, and C600 have wood grain ends



## Traffic Patterns®

- Low-Emitting: Meets California Indoor Air Quality Specifications 01350 and contributes to a building achieving LEED® Credit EQ 4 (Schools, Retail, Healthcare)
- Now available with non-woven backed wallcovering in addition to osnaburg backed wallcovering
- Decorative semi-rigid .030" thick protective wallcovering (custom sizes available up to .060" thickness, call for details)
- 21 oz. or 28 oz. wallcovering can now be specified

# Koroseal Interior Products that contribute to a

	MR 1.2 Building Reuse, Maintain 50% of Interior Non-Structural Elements	MR 2 Construction Waste Management, Divert 50%-75% from Disposal	MR 3 (Healthcare) Sustainability Sourced Materials and Products	MR 4 Recycled Content	MR 5 (Option 1) Regional Materials, 20% Manufactured Regionally
RCV™ Wallcovering		✓	✓	✓	✓
Koroseal® Wallcovering		✓			✓
Koroseal Studios Wallcovering		✓			✓
Vicrtex® Wallcovering		✓			✓
option e™ Wallcovering			✓	✓	✓
walltalkers® Wallcovering	✓				✓
tac•wall® Wallcovering			✓	✓	
Korowood™ Handrails (HW Series)*				✓	✓
Handrails: H100/H10E, H110, H200/H20E, H210, H500, H600, HS7S	✓	✓	✓	✓	✓
VersaRail	✓	✓	✓	✓	✓
H60W Handrail*				✓	✓
HS50/LS50 Handrail*	✓	✓	✓	✓	
Korowood Chair Rails (BW Series)*				✓	✓
Crash Rails: C400/C40E, C500/C50E, C600/C60E, C700/C70E, C800/C80E, C6PL, CS45, CS5F/CS55	✓	✓	✓	✓	✓
CH20 Crash Rail	✓	✓	✓	✓	✓
Bumper Guards: B100, B200, B300	✓	✓	✓	✓	✓
Corner Guards: G100/G10E, G110, G160, G200/G20E, G400, G410, GS35/GS35E, R100/R10E, R110, R400/R40E, Textured Stainless Steel Corner Guards	✓	✓	✓	✓	✓
Door Frame Protectors: F360	✓	✓	✓	✓	
Korogard® Protective Wallcovering					✓
Traffic Patterns® Wallcovering					✓
Sound Designs™ Acoustical Panels			✓	✓	✓
Sculpted Wall Panels			✓	✓	✓
Scuffmaster®					✓
Zolatone®					✓
Gage Architectural Products		✓	✓	✓	✓
Wallcovering Adhesive					✓

\*Forest Stewardship Council®-Certified Wood must be specified. FSC-C117062

**Note:** Not all items in the product categories listed above meet the criteria to contribute to buildings achieving LEED® credits. Please contact your Koroseal Sales Representative for additional details.





# building achieving LEED® credits

**MR 6**  
Rapidly Renewable  
Materials

**MR 7**  
Forest Stewardship  
Council® Certified  
Wood\*

**EQ 4.1**  
Low-Emitting  
Materials, Adhesives  
and Sealants

**EQ 4.2**  
Low-Emitting  
Materials, Paints  
and Coatings

**EQ 4.4**  
Low-Emitting  
Materials, Composite  
Wood and Agrifiber  
Products

**EQ 4**  
(Schools, Retail,  
Healthcare)  
Low-Emitting  
Materials

**EQ 9**  
(Schools)  
Enhanced Acoustical  
Performance



# Protection *through* Innovation

## Korogard ETS is the future of wall protection

Koroseal is proud to offer **Korogard ETS**, a collection of wall protection products manufactured with a unique blend of high-performance materials and recycled aluminum.

Don't compromise your wall protection for a non-PVC product. Achieve both with **Korogard ETS**. Innovative architects and designers are often faced with the challenge of selecting a product that promotes sustainability or a product that meets their needs. With **Korogard ETS** products, you'll receive superior impact resistance and the level of performance that has become synonymous with the **Korogard** name.

## Korogard ETS meets high-performance demands

- Aesthetics with Functionality and Style
- Superior Durability and Impact Resistance
- Class A Fire Rated
- Available in a Variety of Popular Standard and Custom Colors
- Leading Designs in Corner Guards, Crash Rails, Handrails, and Protective Sheets

## Korogard ETS Product Offerings

- Corner Guards
- Crash Rails
- Handrails
- Protective Sheets

## Koroseal and the environment

Several **Korogard**® products can contribute to your building achieving **LEED**® credits. All of our products provide a superior life-cycle, which means less waste and more value.

### Materials & Resources Credit 1.2 (Building Reuse)

In renovation projects, **Korogard** crash rail and handrail profiles can be installed over existing retainers, maintaining the existing walls.

### Materials & Resources Credit 2 (Construction Waste Management)

**Korogreen**™: **Koroseal** Wall Protection Systems will take back and recycle mechanically fastened aluminum and plastic wall protection components.

By recycling wall protection products through the **Korogreen** Recycling Program, customers divert construction waste from landfills.

### Materials & Resources Credit 3 (Healthcare) (Sustainably Sourced Materials & Products)

**Korogard** Crash Rails, Handrails, and several Corner Guards contain pre-consumer recycled content. **Korogard** can supply Forest Stewardship Council®-Certified Wood handrails and chair rails.\*

### Environmental Quality Credit 4 (Schools, Retail, Healthcare)

**Korogard** Protective Wallcoverings and Traffic Patterns® Wallcoverings meet California Indoor Air Quality Specification 01350.

### Materials & Resources Credit 4 (Recycled Content)

**Korogard** Crash Rails, Handrails, and several Corner Guards contain pre-consumer recycled content

### Materials & Resources Credit 5 (Option 1) (CI) (Regional Materials)

Cities as far north as Boston, New York, and Buffalo, as far south as Durham, and as far west as Detroit are all within 500 miles of the **Korogard** manufacturing plant in Muncy, Pennsylvania.

### Materials & Resources Credit 7 (Certified Wood)

**Korowood**™ Handrails: **Korogard** can supply Forest Stewardship Council-Certified Wood handrails.

To learn how **Korogard** products and the **Korogreen** Recycling Program can help contribute to your building achieving **LEED** credits, call us today at **800-628-0449**. For complete product information, visit [korogard.com](http://korogard.com).

\*FSC-C117062



# Handrails

Many factors combine to create a great handrail. Expert engineering, design flexibility, and reliable construction make Korogard® handrails a favorite among architects, designers, and facility owners. We have taken an innovative approach to product design. In fact, some might say we've turned it upside down. At Korogard, we concentrate on function—and fashion! We'd like to think we do a great job of engineering our handrails to withstand the wear and tear of the most demanding environments. However, we also take pride in offering a level of design flexibility that's sure to put a smile on any designer's face.



Korowood™ HW20 Handrail



Korogard H60W Handrail

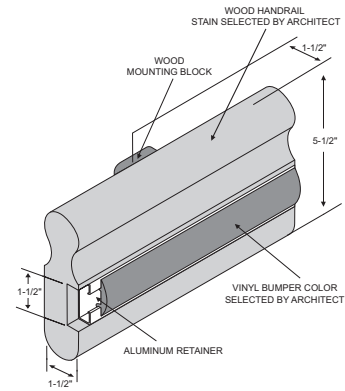


Korowood HW10 Handrail



## Model HW20

- 5-1/2" solid wood handrail with integrated flexible bumper
- Bumper insert available in 50 standard colors with no minimums
- Brass-colored bumper retainer standard; black and aluminum mill finishes also available
- Handrail available in Red Oak, Maple, Cherry, Ash, Poplar, and Eucalyptus with three standard finishes: Clear Varnish, Red Oak Stain, and Cherry Stain; or stained to match your specification
- FSC®-Certified Wood available upon request\*
- Custom colors available (minimums apply)

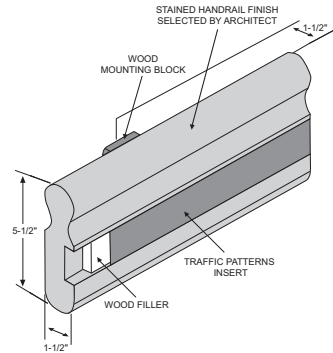


HW20



## Model HW20-TP

- 5-1/2" solid wood handrail with Traffic Patterns® insert
- Handrail available in Red Oak, Maple, Cherry, Ash, Poplar, and Eucalyptus with three standard finishes: Clear Varnish, Red Oak Stain, and Cherry Stain; or stained to match your specification
- FSC-Certified Wood available upon request\*

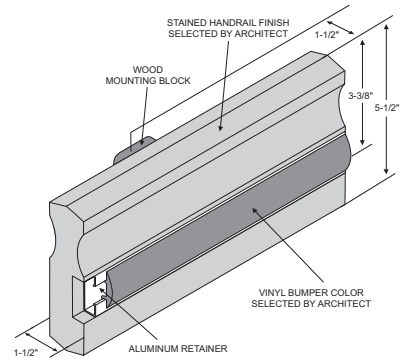


HW20-TP



## Model HW40

- 5-1/2" solid wood handrail with integrated flexible bumper
- Bumper insert available in 50 standard colors with no minimums
- Brass-colored bumper retainer standard; black and aluminum mill finishes also available
- Handrail available in Red Oak, Maple, Cherry, Ash, Poplar, and Eucalyptus with three standard finishes: Clear Varnish, Red Oak stain, and Cherry Stain; or stained to match your specification
- FSC-Certified Wood available upon request\*
- Custom colors available (minimums apply)

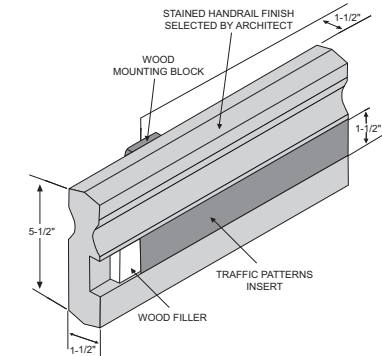


HW40



## Model HW40-TP

- 5-1/2" solid wood handrail with Traffic Patterns® insert
- Handrail available in Red Oak, Maple, Cherry, Ash, Poplar, and Eucalyptus with three standard finishes: Clear Varnish, Red Oak Stain, and Cherry Stain; or stained to match your specification
- FSC-Certified Wood available upon request\*



HW40-TP

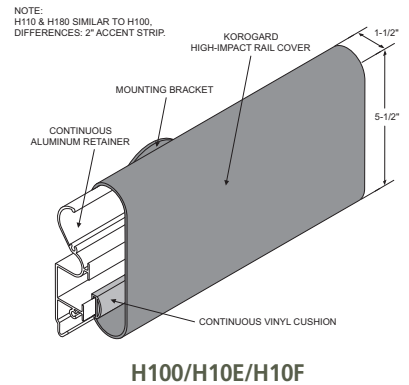
\*FSC-C117062





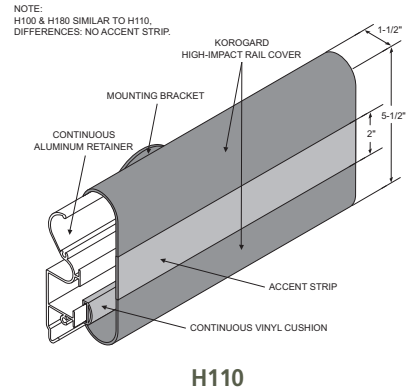
## Model H100/H10E/H10F

- 5-1/2" handrail with full-length vinyl bumper and continuous aluminum retainer
- End and corner caps available as either foam cushion or rigid plastic
- Reveal option available for both cushion and rigid plastic end and corner caps
- Exclusive connector plates
- Available in 50 standard colors with no minimums
- Custom colors available (minimums apply)
- Available as Korogard ETS high-performance materials (H10E) (colors limited, minimums apply)
- Available with a wood grain finish (H10F) with wood grain ends in your choice of 6 finishes



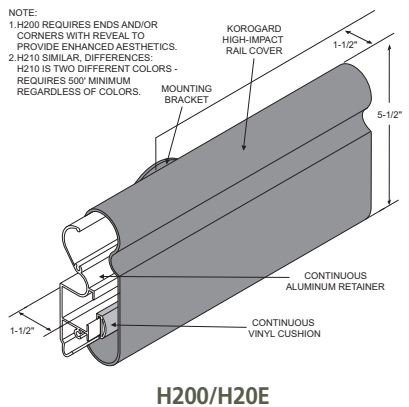
## Model H110

- 5-1/2" handrail with full-length vinyl bumper and continuous aluminum retainer
- End and corner caps available as either foam cushion or rigid plastic
- Reveal option available for both cushion and rigid plastic end and corner caps
- Exclusive connector plates
- Available in 50 standard colors with no minimums
- Custom colors available (minimums apply)
- Accent strip available in 50 standard colors with no minimums



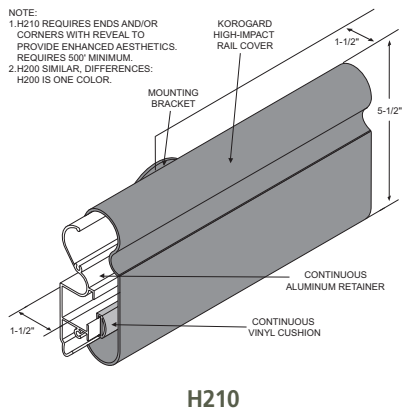
## Model H200/H20E

- 5-1/2" handrail with full-length vinyl bumper and continuous aluminum retainer
- End and corner caps available as either foam cushion or rigid plastic
- Available in 50 standard colors with no minimums
- Ideal for medium- to high-impact areas
- Black reveals standard at end and corner caps
- Custom colors available (minimums apply)
- Available as Korogard ETS high-performance materials (H20E) (colors limited, minimums apply)



## Model H210

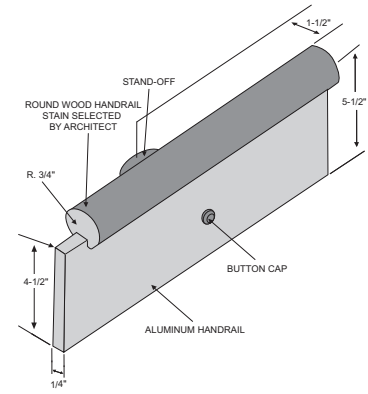
- 5-1/2" handrail with full-length vinyl bumper and continuous aluminum retainer
- End and corner caps available as either foam cushion or rigid plastic
- Ideal for medium- to high-impact areas
- Custom colors available (minimums apply)
- Two-color vinyl cover available in any combination of 50 standard colors (minimums apply)





## Model HS50/LS50

- 4-1/2" aluminum handrail
- Mitered return
- Handrail available in finished aluminum and in three powder coated textures: Black, Silver, and Silver Stratum
- Available with rounded or oval top grip
- Top grips available in Red Oak, Maple, Cherry, Ash, Poplar, and Eucalyptus with three standard finishes: Clear Varnish, Red Oak Stain, and Cherry Stain; or stained to match your specification
- FSC®-Certified Wood available upon request\*
- HS50 system is supplied factory-fabricated, finished, and assembled for installation

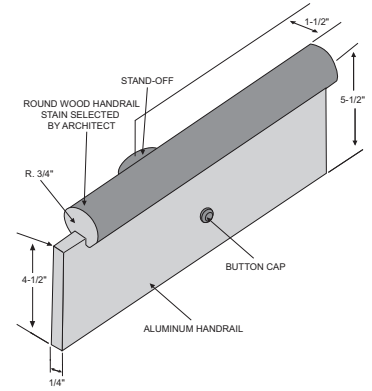


HS50/LS50



## Model HS5R/LS5R

- 4-1/2" aluminum handrail
- Radius return
- Handrail available in finished aluminum and in three powder coated textures: Black, Silver, and Silver Stratum
- Available with rounded or oval top grip
- Top grips available in Red Oak, Maple, Cherry, Ash, Poplar, and Eucalyptus with three standard finishes: Clear Varnish, Red Oak Stain, and Cherry Stain; or stained to match your specification
- FSC-Certified Wood available upon request\*
- HS5R system is supplied factory-fabricated, finished, and assembled for installation

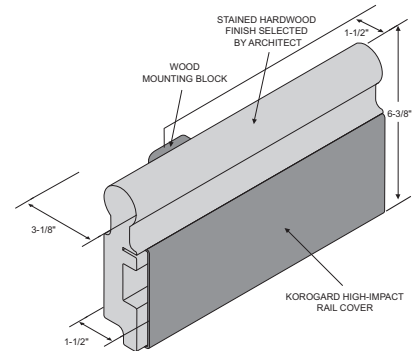


HS5R/LS5R



## Model HW60

- Solid wood handgrip with 4" vinyl cover
- Vinyl cover available in 50 standard colors with no minimums
- Handgrip available in Red Oak, Maple, Cherry, Ash, Poplar, and Eucalyptus with three standard finishes: Clear Varnish, Red Oak Stain, and Cherry Stain; or stained to match your specification
- FSC-Certified Wood available upon request\*
- Custom colors available (minimums apply)



HW60

\*FSC-C117062

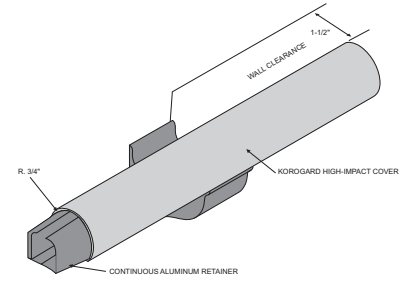
Left: Korowood Handrail and Korowood Protective Wallcovering  
Right: Korogard H60W Handrail with C600 Crash Rail and G200 Corner Guard





## Model H500/H50F

- 1-1/2" aluminum handrail with a continuous aluminum retainer
- Embossed vinyl cover snaps in place, encasing the retainer for secure installation
- Best suited for light- to medium-impact areas
- Available in 50 standard colors with no minimums
- Custom colors available (minimums apply)
- Available with a wood grain finish (H50F) with wood grain ends in your choice of 6 finishes

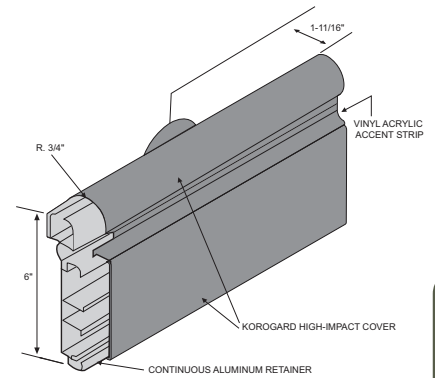


H500/H50F



## Model H600/H60F

- 6" handrail with full-length vinyl bumper and continuous aluminum retainer
- Vinyl covers and thumb grips available in 50 standard colors with no minimums
- Custom colors available (minimums apply)
- Mix-and-match color options offer a multitude of design possibilities
- Available with a wood grain finish (H60F) with wood grain ends in your choice of 6 finishes

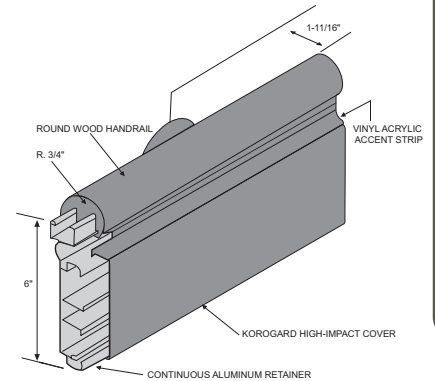


H600/H60F



## Model H60W

- 6" handrail with Korowood™ handgrip and full-length vinyl cover and continuous aluminum retainer
- Korowood handgrip available in Red Oak, Maple, Cherry, Ash, Poplar, and Eucalyptus
- Three standard finishes: Clear Varnish, Red Oak Stain, and Cherry Stain; or stained to match your specification
- Vinyl covers and thumb grips available in 50 standard colors with no minimums
- FSC®-Certified Wood available upon request\*
- Custom colors available (minimums apply)

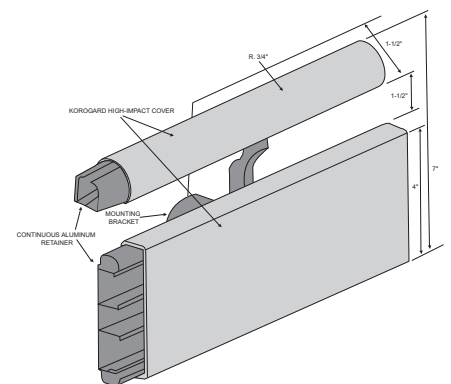


H60W



## VersaRail

- Combination handrail and crash rail
- Available with vinyl cover or wood top and bottom
- Available with vinyl or wood returns
- Vinyl is available in 50 standard colors with no minimums
- Wood is available in Red Oak, Maple, Cherry, Ash, Poplar, and Eucalyptus with three standard finishes: Clear Varnish, Red Oak Stain, and Cherry Stain; or stained to match your specification.
- FSC-Certified Wood available upon request\*
- Custom colors available (minimums apply)



VersaRail

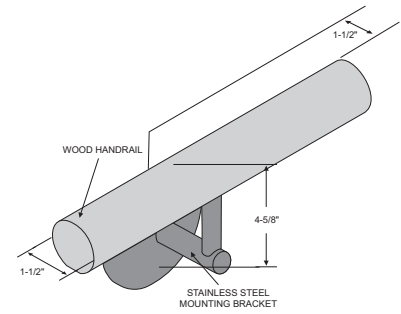
\*FSC-C117062





## Model HW7S

- 1-1/2" handrail with rounded full grip; stainless steel ends and mounting brackets
- Handrail available in Red Oak, Maple, Cherry, Ash, Poplar, and Eucalyptus with three standard finishes: Clear Varnish, Red Oak Stain, and Cherry Stain; or stained to match your specification
- FSC®-Certified Wood available upon request\*

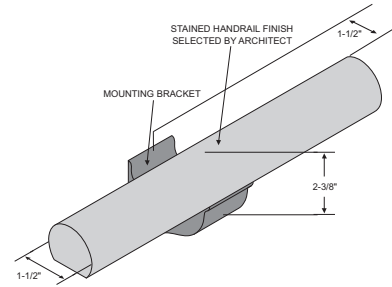


HW7S



## Model HW70

- 1-1/2" solid wood handrail with rounded full grip
- Mounting brackets available in 50 standard colors with no minimums
- Handgrip available in Red Oak, Maple, Cherry, Ash, Poplar, and Eucalyptus with three standard finishes: Clear Varnish, Red Oak Stain, and Cherry Stain; or stained to match your specification
- FSC-Certified Wood available upon request\*
- Custom colors available (minimums apply)

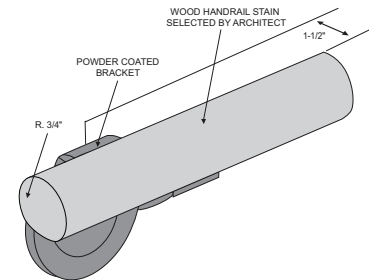


HW70



## Model HW7P

- 1-1/2" handrail with rounded full grip; metal ends and mounting brackets
- Handrail available in Red Oak, Maple, Cherry, Ash, Poplar, and Eucalyptus with three standard finishes: Clear Varnish, Red Oak Stain, and Cherry Stain; or stained to match your specification
- Ends and mounting brackets available in three powder coated textures: Black, Silver, and Silver Stratum
- FSC-Certified Wood available upon request\*

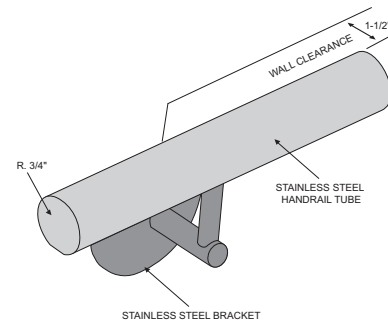


HW7P



## Model HS7S

- 1-1/2" stainless steel handrail with full grip and stainless steel ends and mounting brackets
- HS7S system is supplied factory-fabricated, finished, and assembled for ease of installation



HS7S

\*FSC-C117062

# Chair Rails

Everyone enjoys the beauty of a finished room or building—the point at which you can take a step back and savor the brilliance of a job well done. Achieving your desired result is key, but so is making it last! That's where Korogard® chair rails come into play. Over the years, the Korogard brand has become synonymous with wall protection. With a variety of designs and potential color and pattern combinations, Korogard's chair rails offer a level of protection that's sure to prevent dents and scratches for years to come!



Korogard BW90 Chair Rail with Chimayó Traffic Patterns Wallcovering, and a Custom Formed Corner Guard



Korogard BW20 Chair Rail

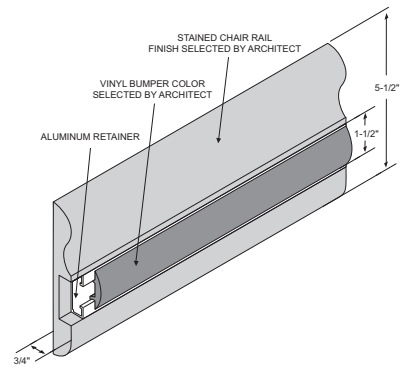


Bellagard® BellaLucent Chair Rail



## Model BW20

- 5-1/2" solid wood chair rail with integrated flexible bumper
- Bumper insert available in 50 standard colors with no minimums
- Brass-colored bumper retainer standard; black and aluminum mill finishes also available
- Chair rail available in Red Oak, Maple, Cherry, Ash, Poplar, and Eucalyptus with three standard finishes: Clear Varnish, Red Oak Stain, and Cherry Stain; or stained to match your specification
- FSC®-Certified Wood available upon request\*
- Custom colors available (minimums apply)

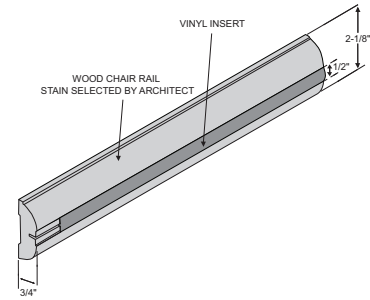


**BW20**



## Model BW30

- 2-1/8" solid wood chair rail with integrated flexible bumper
- Vinyl insert available in black
- Chair rail available in Red Oak, Maple, Cherry, Ash, Poplar, and Eucalyptus with three standard finishes: Clear Varnish, Red Oak Stain, and Cherry Stain; or stained to match your specification
- FSC-Certified Wood available upon request\*

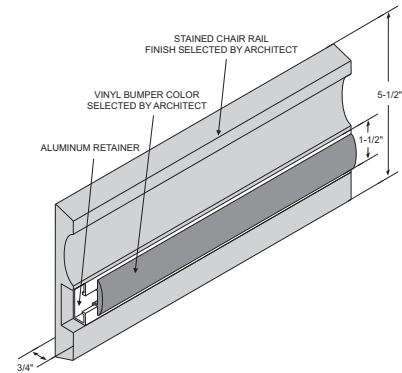


**BW30**



## Model BW40

- 5-1/2" solid wood chair rail with integrated flexible bumper
- Bumper insert available in 50 standard colors with no minimums
- Brass-colored bumper retainer standard; black and aluminum mill finishes also available
- Chair rail available in Red Oak, Maple, Cherry, Ash, Poplar, and Eucalyptus with three standard finishes: Clear Varnish, Red Oak Stain, and Cherry Stain; or stained to match your specification
- FSC-Certified Wood available upon request\*
- Custom colors available (minimums apply)

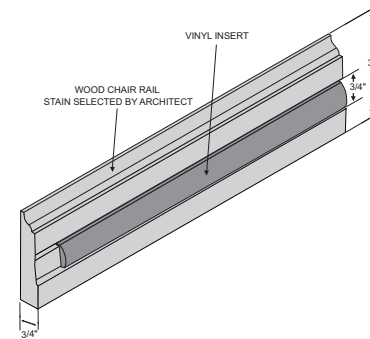


**BW40**



## Model BW50

- 3" solid wood chair rail with integrated flexible bumper
- Vinyl insert available in black
- Chair rail available in Red Oak, Maple, Cherry, Ash, Poplar, and Eucalyptus with three standard finishes: Clear Varnish, Red Oak Stain, and Cherry Stain; or stained to match your specification
- FSC-Certified Wood available upon request\*



**BW50**

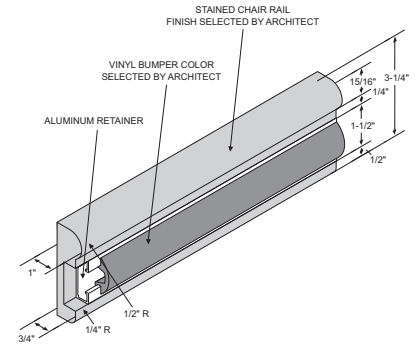
\*FSC-C117062





## Model BW60

- 3-1/4" solid wood chair rail with integrated flexible bumper
- Bumper insert available in 50 standard colors with no minimums
- Brass-colored bumper retainer standard; black and aluminum mill finishes also available
- Chair rail available in Red Oak, Maple, Cherry, Ash, Poplar, and Eucalyptus with three standard finishes: Clear Varnish, Red Oak Stain, and Cherry Stain; or stained to match your specification
- FSC®-Certified Wood available upon request\*
- Custom colors available (minimums apply)

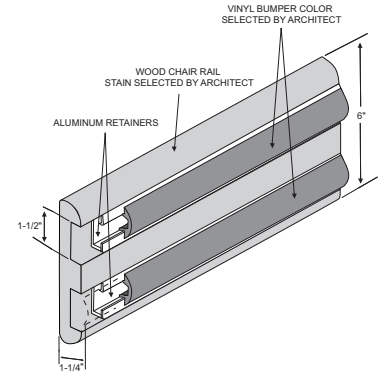


**BW60**



## Model BW70

- 6" solid wood chair rail with two vinyl bumpers
- Integrated vinyl bumper strips held in place with aluminum retainer
- Vinyl bumpers available in 50 standard colors
- Brass-colored aluminum retainer standard; black and aluminum mill finishes also available
- Chair rail available in Red Oak, Maple, Cherry, Ash, Poplar, and Eucalyptus with three standard finishes: Clear Varnish, Red Oak Stain, and Cherry Stain; or stained to match your specification
- FSC-Certified Wood available upon request\*
- Custom colors available (minimums apply)



**BW70**

\*FSC-C117062

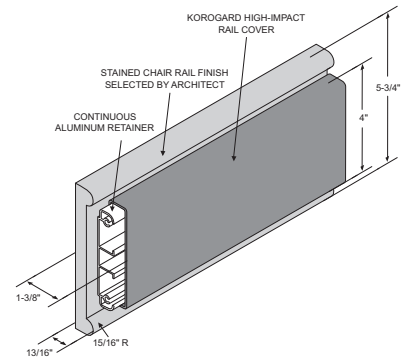
Bottom: Korogard H500 Handrail with C400 Crash Rail and G200 Corner Guard





## Model BW80

- 4" chair rail mounted on 5-3/4" solid wood backer
- Vinyl cover available in 50 standard colors with no minimums
- Ideal for low- to medium-protection areas
- Wood backer available in Red Oak, Maple, Cherry, Ash, Poplar, and Eucalyptus with three standard finishes: Clear Varnish, Red Oak Stain, and Cherry Stain; or stained to match your specification
- FSC®-Certified Wood available upon request\*
- Custom colors available (minimums apply)

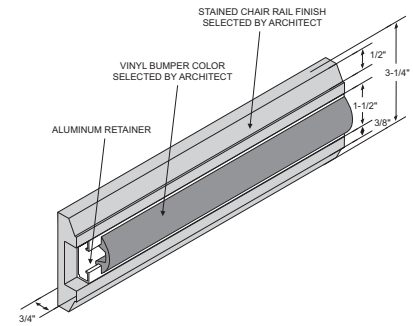


**BW80**



## Model BW90

- 3-1/4" solid wood chair rail with integrated flexible bumper
- Bumper insert available in 50 standard colors with no minimums
- Brass-colored bumper retainer standard; black and aluminum mill finishes also available
- Chair rail available in Red Oak, Maple, Cherry, Ash, Poplar, and Eucalyptus with three standard finishes: Clear Varnish, Red Oak Stain, and Cherry Stain; or stained to match your specification
- FSC-Certified Wood available upon request\*

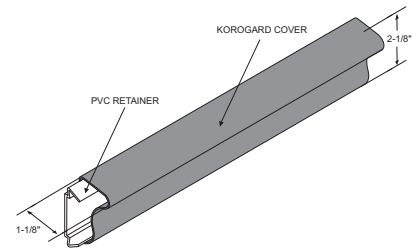


**BW90**



## Model CH20

- 2-1/8" chair rail with full-length vinyl cover and recycled PVC retainer
- Economical option for lighter-impact areas
- Vinyl cover available in 50 standard colors with no minimums
- Custom colors available (minimums apply)



**CH20**

\*FSC-C117062

# Crash Rails

When you want to preserve the life of your walls, Korogard® crash rails are the answer. Korogard products are expertly engineered to provide superior strength, which translates into long-lasting wall protection. Ideal for healthcare, assisted living, and transit facilities, crash rails provide a barrier to withstand impact from carts, beds, gurneys, and more. Offering more than just protection, crash rails can also be specified to color coordinate with wallcovering, furniture, and other interior accents.



Korogard C600 Crash Rail with H600 Handrail



Korogard C600 Crash Rail with H100 Handrail



Korogard C600 Crash Rail with H60W Handrail



CONTINUOUS  
VINYL CUSHIONS



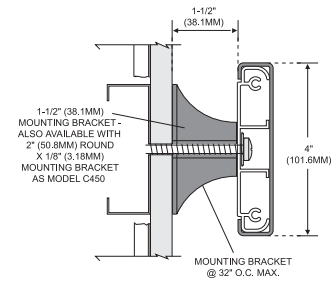
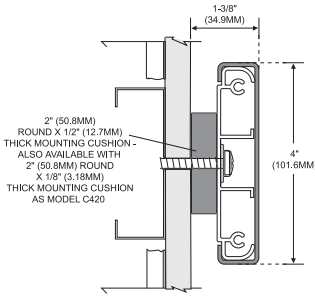
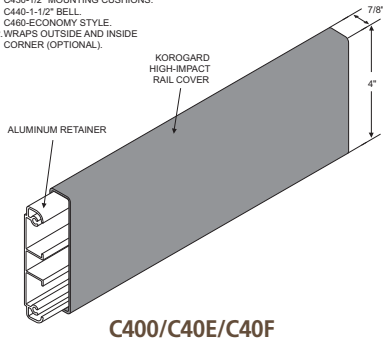


## C400 Series/C40E/C40F

- 4" rail with continuous aluminum retainers (except C460)
- Exclusive connector plates and variety of mounting options
- Economy model (C460) available for light-impact situations
- Available with accent strip (C410) for contrast and design options

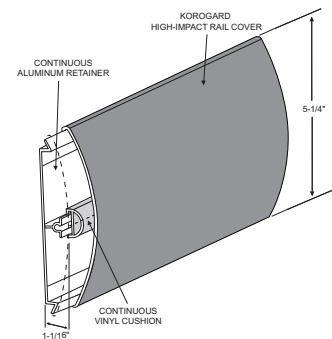
- Available in 50 standard colors with no minimums
- Custom colors available (minimums apply)
- Available as Korogard ETS high-performance materials (C40E) (colors limited, minimums apply)
- Available with a wood grain finish (C40F) with wood grain ends in your choice of 6 finishes

NOTE:  
1. SIMILAR PRODUCTS  
C430-1/2" MOUNTING CUSHIONS.  
C440-1-1/2" BELL.  
C460-ECONOMY STYLE.  
2. WRAPS OUTSIDE AND INSIDE  
CORNER (OPTIONAL).



## C500 Series

- 5" rail with continuous aluminum retainer (except C560)
- Exclusive connector plates and variety of mounting options
- Economy model (C560) available for light- to medium-impact situations
- Continuous vinyl cushions to protect profile cover (except C560)
- Available in 50 standard colors with no minimums
- Custom colors available (minimums apply)



Left: Custom Bellagard® BellaLucent Handrail with Korogard C400 Crash Rail and G200 Corner Guard  
Right: Korogard BW80 with C800 Crash Rail, Custom Kickplate, and Door Frame Protector

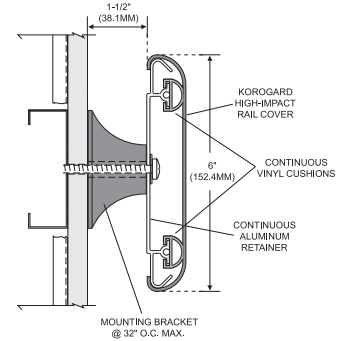
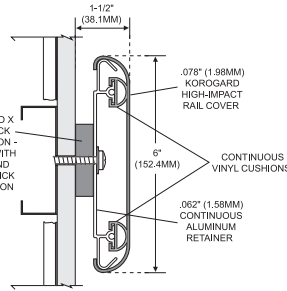
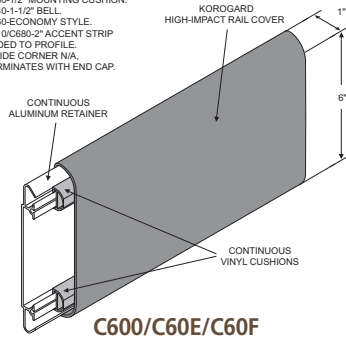




## C600 Series/C60E/C60F

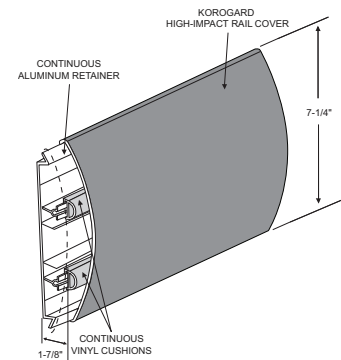
- 6" rail with continuous aluminum retainer (except 660)
- Exclusive connector plates and variety of mounting options
- Economy model (C660) available for light- to medium-impact situations
- Continuous vinyl cushions to protect profile cover (except 660)
- End and corner caps available as either patented (USP#5,469,682) foam cushion or rigid plastic
- Available in 50 standard colors with no minimums
- Available as Korogard *ETS* high-performance materials (C60E) (colors limited, minimums apply)
- Custom colors available (minimums apply)
- Available with a wood grain finish (C60F) with wood grain ends in your choice of 6 finishes

NOTE:  
1. SIMILAR PRODUCTS  
C630-1/2" MOUNTING CUSHION.  
C640-1-1/2" BELL.  
C660-ECONOMY STYLE.  
C610/C680-2" ACCENT STRIP  
ADDED TO PROFILE.  
2. INSIDE CORNER N/A.  
TERMINATES WITH END CAP.



## C700 Series

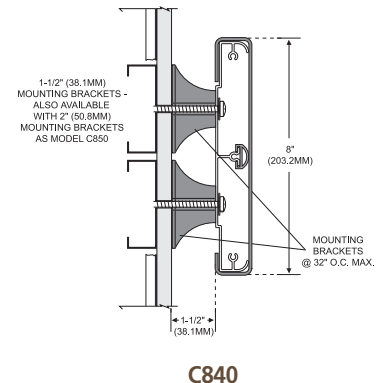
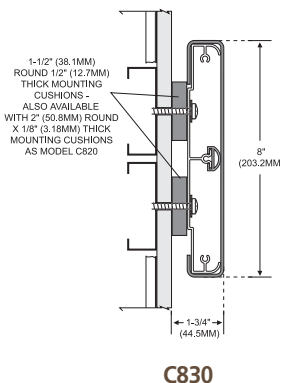
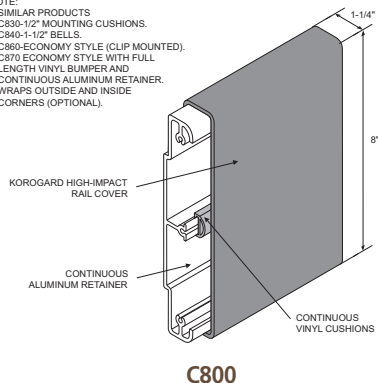
- 7" rail with continuous aluminum retainer (except C760)
- Exclusive connector plates and variety of mounting options
- Economy models (C760 and C770) available for light- to medium-impact situations
- Continuous vinyl cushions to protect profile cover (except C760)
- Available in 50 standard colors with no minimums
- Custom colors available (minimums apply)

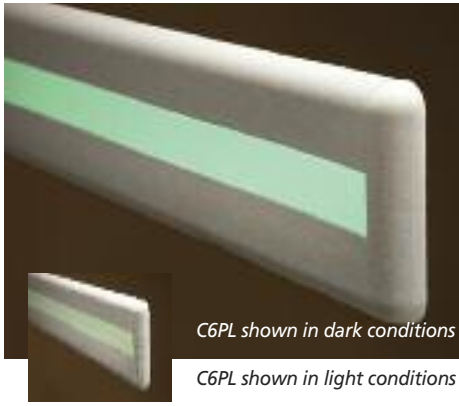


## C800 Series

- 8" rail with continuous aluminum retainer (except C860)
- Exclusive connector plates and variety of mounting options
- Economy models (C860 & C870) available for light- to medium-impact situations
- Continuous vinyl cushion to protect profile cover (except C860)
- Available in 50 standard colors with no minimums
- Custom colors available (minimums apply)

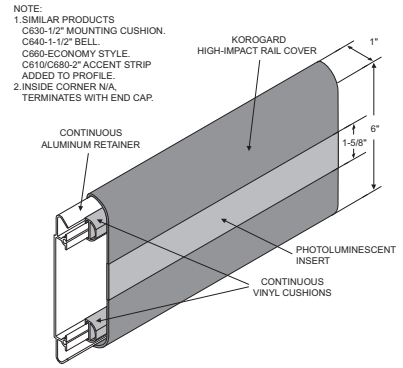
NOTE:  
1. SIMILAR PRODUCTS  
C830-1/2" MOUNTING CUSHIONS.  
C840-1-1/2" BELLS.  
C860-ECONOMY STYLE (CLIP MOUNTED).  
C870 ECONOMY STYLE WITH FULL  
LENGTH VINYL BUMPER AND  
CONTINUOUS ALUMINUM RETAINER.  
2. WRAPS OUTSIDE AND INSIDE  
CORNERS (OPTIONAL).



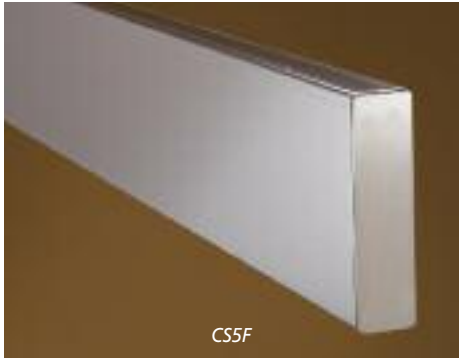


## Model C6PL

- 6" crash rail mounted over a continuous aluminum retainer and two continuous vinyl bumper cushions
- Photoluminescent (glow-in-the-dark) insert remains visible in darkness for a period of at least five hours after exposure to normal light conditions
- Profile available in 50 standard colors with no minimums
- Custom colors available (minimums apply)
- C6PL provides excellent impact resistance, creating a unique combination of safety and protection



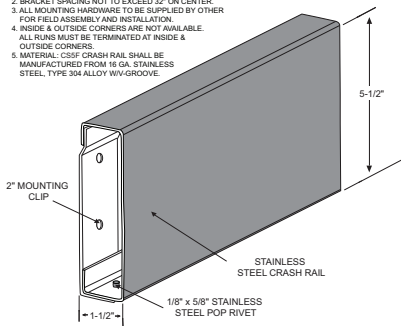
C6PL



## Model CS5F/CS55

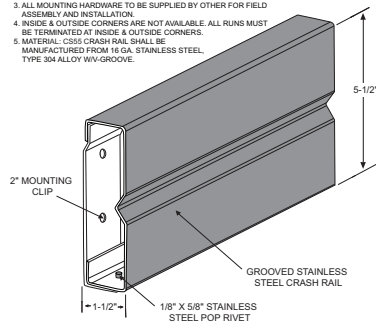
- 5-1/2", 16-gauge stainless steel crash rail
- Available with v-groove face (CS55)
- Made to order (Handrails 10' in length or greater may have splices)

NOTE:  
 1. ALL RAILS TO BE SUPPLIED PREFABRICATED TO REQUIRED LENGTH W/FACTORY INSTALLED END PLATES.  
 2. BRACKET SPACING NOT TO EXCEED 32" ON CENTER.  
 3. ALL MOUNTING HARDWARE TO BE SUPPLIED BY OTHER FOR FIELD ASSEMBLY AND INSTALLATION.  
 4. INSIDE & OUTSIDE CORNERS ARE NOT AVAILABLE. ALL RUNS MUST BE TERMINATED AT INSIDE & OUTSIDE CORNERS.  
 5. MATERIAL: CS5F CRASH RAIL SHALL BE MANUFACTURED FROM 16 GA. STAINLESS STEEL, TYPE 304 ALLOY W/V-GROOVE.

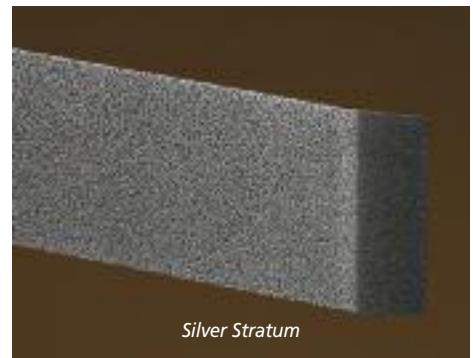
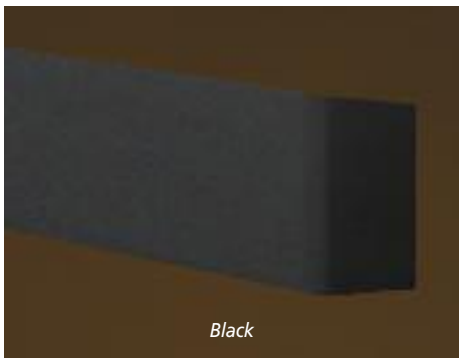


CS5F

NOTE:  
 1. ALL RAILS TO BE SUPPLIED PREFABRICATED TO REQUIRED LENGTH W/FACTORY INSTALLED END PLATES.  
 2. BRACKET SPACING NOT TO EXCEED 32" ON CENTER.  
 3. ALL MOUNTING HARDWARE TO BE SUPPLIED BY OTHER FOR FIELD ASSEMBLY AND INSTALLATION.  
 4. INSIDE & OUTSIDE CORNERS ARE NOT AVAILABLE. ALL RUNS MUST BE TERMINATED AT INSIDE & OUTSIDE CORNERS.  
 5. MATERIAL: CS55 CRASH RAIL SHALL BE MANUFACTURED FROM 16 GA. STAINLESS STEEL, TYPE 304 ALLOY W/V-GROOVE.

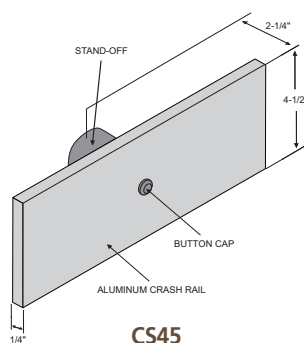


CS55



## Model CS45

- 4-1/2" aluminum crash rail
- Crash rail available in three powder coated textures: Black, Silver, and Silver Stratum
- Made to order (Handrails 10' in length or greater may have splices)



CS45



# Bumper Rails

Especially popular in healthcare applications, Korogard® bumper rails are a great way to protect your walls from the impact of beds, chairs, and other potentially damaging abuse. Bumper rails can preserve your walls by offering patients, residents, and healthcare professionals a subtle reminder when they are approaching a wall or door. Bumper rails are positioned in high-traffic areas where most impact can be resisted and damage to the walls avoided. They are easy to clean and maintain and can be specified in your choice of colors to complement your desired color scheme.



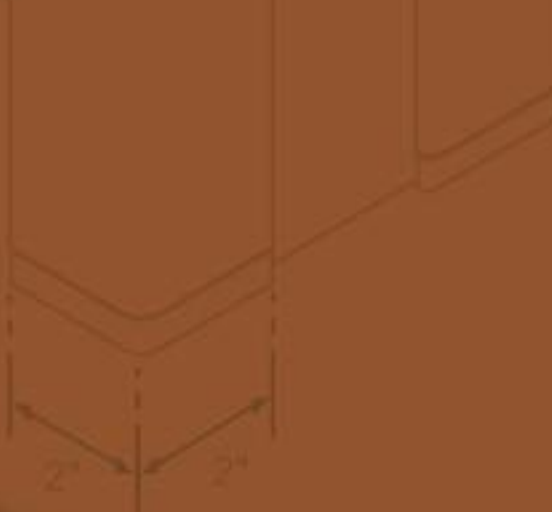
Korogard B100 Bumper Rail with C600 Crash Rail and G210 Corner Guard



Korogard B100 Bumper Rail with C400 Crash Rail



Korogard B100 Bumper Rail with C600 Crash Rail

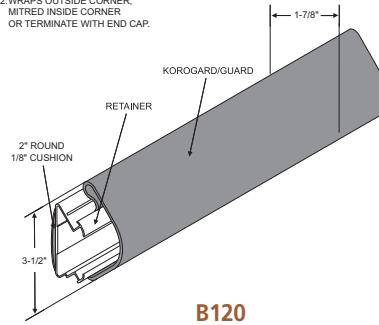




## Model B100

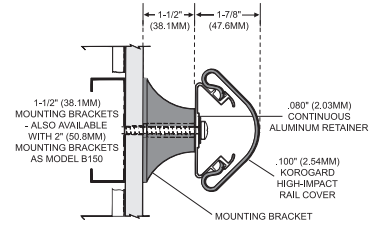
- 3-1/2" rail with rounded full-length profile cover and continuous aluminum retainer
- Variety of mounting options
- Available with bed locator ends to position beds in safe, damage-free space

NOTE:  
1. SIMILAR PRODUCTS  
B130-1/2" MOUNTING CUSHIONS.  
B140-1-1/2" BELLS.  
2. WRAPS OUTSIDE CORNER,  
MITRED INSIDE CORNER,  
OR TERMINATE WITH END CAP.



**B120**

- Available in 50 standard colors with no minimums
- Custom colors available (minimums apply)



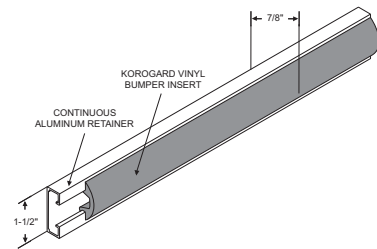
**B140**



## Model B200

- 1-1/2" rail with integrally colored flexible vinyl bumper inserted into continuous aluminum retainer channel
- Retainer available as aluminum mill finish, brass, or black
- Available in 50 standard colors with no minimums
- Custom colors available (minimums apply)

NOTE:  
1. WRAPS OUTSIDE CORNER,  
MITRED INSIDE CORNER  
OR TERMINATE WITH END CAP.



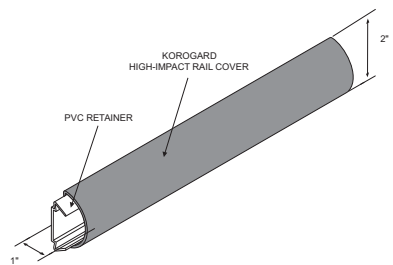
**B200**



## Model B300/B30F

- 2" rail with rounded full-length profile cover and recycled PVC retainer
- Available in 50 standard colors with no minimums
- Custom colors available (minimums apply)
- Available with a wood grain finish (B30F) and solid color ends in your choice of 6 finishes

NOTE:  
1. WRAPS OUTSIDE CORNER,  
MITRED INSIDE CORNER OR  
TERMINATE WITH END CAP.



**B300/B30F**

# Corner Guards

Scratches and dents are common occurrences in most commercial environments. That's why Korogard® has designed a variety of corner guards to protect the edges of your walls from the inevitable abuse of high-traffic areas. Offering everything from standard PVC to modern stainless steel, Korogard can provide a unique blend of options to complement a variety of interiors from traditional to contemporary.



Korogard G100 Corner Guard with H600 Handrail



Bellagard® Textured Stainless Steel Corner Guard



Korogard G100 Corner Guard with H60W Handrail and C600 Crash Rail

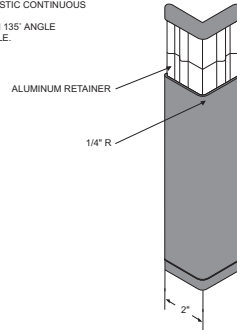




## G100 Series/G10E/G10F

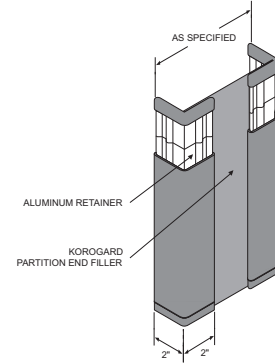
- 2" vinyl 1/4"-radius profile cover mounted over continuous retainer
- Choice of aluminum or extruded from recycled PVC retainers
- Top and bottom caps "lock" profile cover in place

NOTE:  
AVAILABLE IN PLASTIC CONTINUOUS  
RETAINER (G100).  
NOT AVAILABLE IN 135° ANGLE  
OR CUSTOM ANGLE.



G100/G160/G10E/G10F

- Available in 50 standard colors with no minimums
- Custom colors available (minimums apply)
- Available as Korogard ETS high-performance materials (G10E) (colors limited, minimums apply)
- Available with a wood grain finish (G10F) and solid colored ends in your choice of 6 finishes

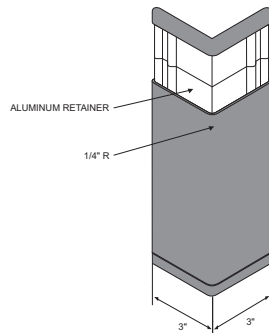


G110



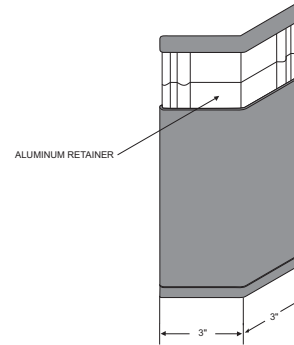
## G200 Series/G20E/G20F

- 3" vinyl 1/4"-radius profile cover mounted over continuous aluminum retainer
- Top and bottom caps "lock" profile cover in place
- Available in 50 standard colors with no minimums



G200/G20E/G20F

- Custom colors available (minimums apply)
- Available as Korogard ETS high-performance materials (G20E) (colors limited, minimums apply)
- Available with a wood grain finish (G20F) and solid colored ends in your choice of 6 finishes



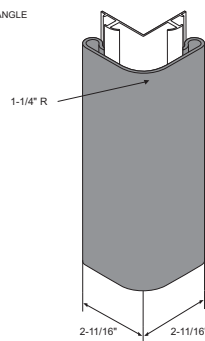
G210



## G400 Series

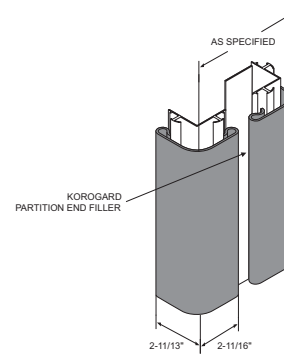
- 2-11/16" vinyl 1-1/4"-radius profile cover mounted over continuous aluminum retainer
- Top and bottom caps "lock" profile cover in place
- Also available as partition end (G410)

NOTE:  
NOT AVAILABLE IN 135° ANGLE  
OR CUSTOM ANGLE.

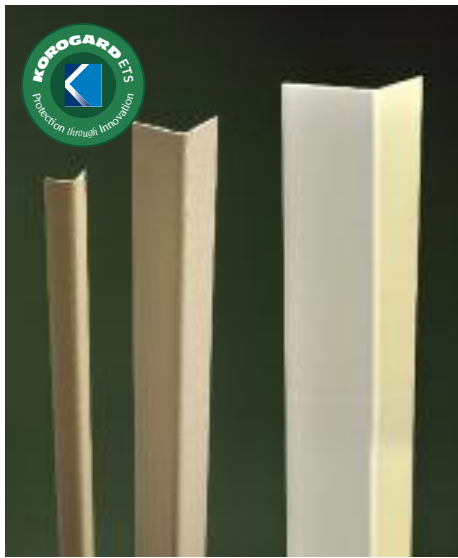


G400

- Available in 50 standard colors with no minimums
- Custom colors available (minimums apply)



G410



## Model G875/G815/G81E/G825

- .078"-thick extruded corner guards with 3/4", 1-1/2", or 2-1/2" wings
- Installed with contact cement or construction adhesive
- Available in 50 standard colors with no minimums

- Custom colors available (minimums apply)
- Available as Korogard *ETS* high-performance materials (G81E) (colors limited, minimums apply)

NOTE:  
STANDARD HEIGHTS - 4', 8'



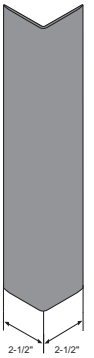
G875

NOTE:  
1. ADHESIVE BACKED OPTIONAL-SPECIFY.  
2. STANDARD HEIGHTS - 4', 8'.  
3. CUSTOM ANGLES AVAILABLE.



G815/G81E

NOTE:  
1. ADHESIVE BACKED OPTIONAL-SPECIFY.  
2. STANDARD HEIGHTS - 4', 8'.  
3. CUSTOM ANGLES AVAILABLE.



G825



## Model GW15 Wallcovering Wrapped Corner Guards

- 1-1/2" x 1-1/2" vinyl wallcovering-wrapped extruded corner guard
- Available in full wall height and specified length options
- Standard 90° angle
- Available in any 21 oz. or lighter woven (osnaburg), fabric-backed Koroseal wallcovering
- Coordinates with interior wallcovering design



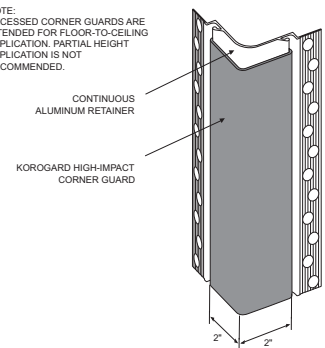
Korogard G200 Corner Guard with C600 Crash Rail



## Model R100/R10E/R10F

- 2" vinyl 1/4"-radius profile cover mounted over continuous aluminum retainer
- Standard 4" aluminum base for cove base mounting
- New construction only, full-height application only
- Also available with fire barrier
- Available in 50 standard colors with no minimums
- Custom colors available (minimums apply)
- Available as Korogard *ETS* high-performance materials (R10E)
- Available with a wood grain finish (R10F) in your choice of 6 finishes

NOTE:  
RECESSED CORNER GUARDS ARE INTENDED FOR FLOOR-TO-CEILING APPLICATION. PARTIAL HEIGHT APPLICATION IS NOT RECOMMENDED.

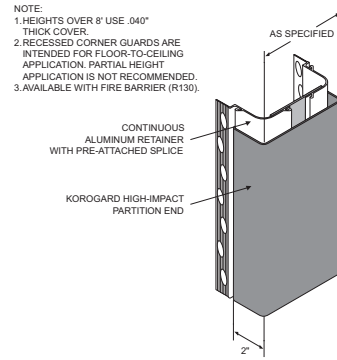


R100/R10E/R10F



## Model R110

- 2" vinyl 1/4"-radius profile cover mounted over continuous aluminum retainer
- Standard 4" aluminum base for cove base mounting
- New construction only, full-height application only
- Also available with fire barrier
- Available in 50 standard colors with no minimums
- Custom colors available (minimums apply)

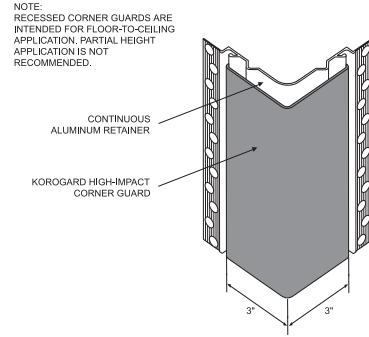


R110

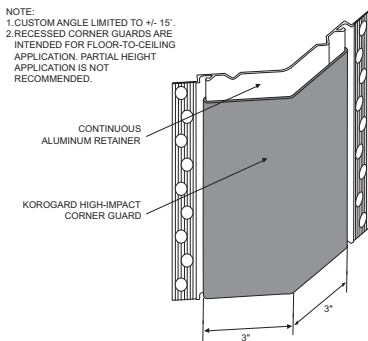


## R400 Series/R40E/R40F

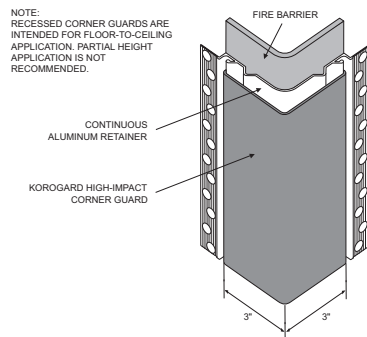
- 3" vinyl 1/4"-radius profile cover mounted over continuous aluminum retainer
- Standard 4" aluminum base for cove base mounting
- New construction only, full-height application only
- Also available for 135° corners (R410)
- Also available with fire barrier
- Available in 50 standard colors with no minimums
- Custom colors available (minimums apply)
- Available as Korogard ETS high-performance materials (R40E) (colors limited, minimums apply)
- Available with a wood grain finish (R40F) in your choice of 6 finishes



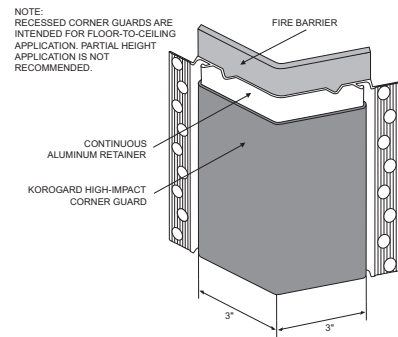
R400/R40E/R40F



R410



R420



R430





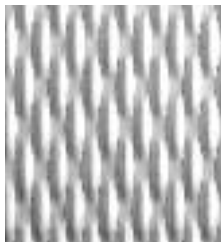
Surface



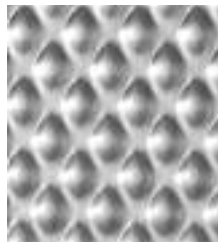
Recessed

## Textured Stainless Steel Corner Guards

- Available in 20-gauge stainless steel with #4 satin finish with five unique textures
- S6 available in 16-gauge stainless steel with #4 satin finish
- Available as surface or recessed
- Surface can be specified with a square or arch crown
- 90° angle is standard, 135° angle also available
- Surface available in 4' or 8' lengths / Recessed available in 8' length only
- Surface available in 1-1/2" and 3-1/2" sizes / Recessed available in 3-1/2" size only



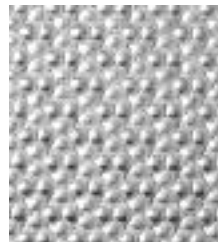
S1



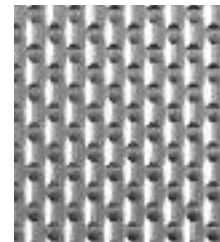
S2



S3



S4



S5



S6



Surface Stainless Steel Textured Corner Guards are available with either a square-crown (left) or arc-crown (right)



Corner Guards

## Anodized Aluminum Corner Guards

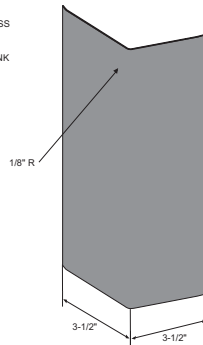
- 1/2" x 1/2" anodized aluminum corner guard
- Available in Satin, Bronze, Black, and Silver Brite in 1/2" x 1/2" only
- Offered in 4', 6', 8', and 12' lengths
- All colors are available with a standard 90° angle



## Stainless Steel Corner Guards

- Available in 16-gauge stainless steel corner guards with #4 satin finish
- Available in lengths up to 10'

NOTE:  
 1. STOCK  
 GS35-3-1/2" WING, T304 STAINLESS STEEL, COLOR #4 SATIN FINISH, STANDARD HEIGHT 4", 8"  
 2. OPTIONAL ITEMS - COUNTERSUNK HOLES (FASTENERS NOT INCLUDED), #6 POLISH, AND CUSTOM HEIGHTS.  
 3. NON-STOCK  
 1", 2", 2-1/2", 3", 4" WINGS, CUSTOM ANGLES.



GS35

- Standard 90° angle; 135° angle available in 3-1/2" wing size
- Available in 1", 1-1/2", 2", 2-1/2", 3", and 3-1/2" sizes
- Custom gauges, finishes, and sizes available with minimums and lead times



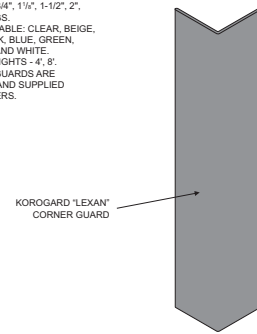
GS35E



## Lexan®

- Lexan® polycarbonate corner guard in Clear, Beige, Brown, Black, Blue, Green, Gray, Ivory, and White
- Available in 4' and 8' lengths
- Standard 90° angle
- Available in 3/4", 1-1/8", 1-1/2", 2", and 2-1/2" wing sizes

NOTE:  
 1. AVAILABLE IN 3/4", 1 1/8", 1-1/2", 2", OR 2-1/2" WINGS.  
 2. COLORS AVAILABLE: CLEAR, BEIGE, BROWN, BLACK, BLUE, GREEN, GRAY, IVORY, AND WHITE.  
 3. STANDARD HEIGHTS - 4', 8'.  
 4. ALL CORNER GUARDS ARE PRE-DRILLED AND SUPPLIED WITH FASTENERS.



Lexan

## Korogard® Samples

Korogard products are available in a variety of standard colors, all of which are listed on page 42. To ensure color accuracy, we encourage you to request a product sample to verify the actual color. Please contact your Korogard representative today at 800-628-0449 to request a sample for your next project.

## Korogard® Limited Warranty

Koroseal® Interior Products warrants to its purchasers that Korogard® products will be free from any defects in material or workmanship and meet the design criteria noted in our catalogs when properly applied and installed per our recommended installation instructions. If, in the sole opinion of Koroseal Interior Products, a product covered by this warranty is defective, Koroseal Interior Products will replace it free of charge. This warranty shall extend for a period of five years from the date of shipment by Koroseal Interior Products. **THIS WARRANTY IS IN LIEU OF ALL OTHER WARRANTIES EXPRESSED OR IMPLIED AND IS THE SOLE WARRANTY EXTENDED BY KOROSEAL INTERIOR PRODUCTS.** The liability of Koroseal Interior Products under this material warranty is limited to the replacement of Korogard products and does not include any responsibility for other damages.

# Custom Formed Products

We've all heard the expression, "You can't fit a square peg into a round hole." For Korogard®, there's no such thing as a one-size-fits-all approach. We excel at developing solutions for projects of all shapes and sizes. Korogard offers a variety of standard custom formed products. However, our wall protection solutions can also be easily customized to meet the needs of your particular project. Korogard custom formed products are designed to prevent damage and reduce maintenance costs for doors, door parts, and corners. As always, if you don't see what you're looking for, don't hesitate to give us a call.



Korogard Custom Formed C400 Crash Rail



Korogard Custom Formed Corner Guard with H100 Handrail and C600 Crash Rail



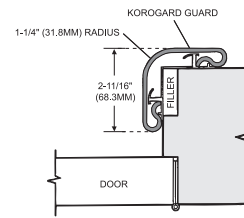
Korogard Custom Formed Door Frame Protector with H60W Handrail



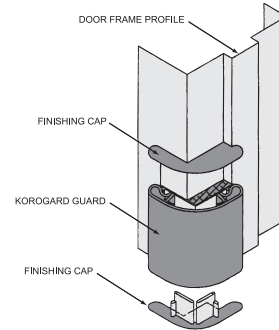


## Model F360

- 2-11/16" vinyl 1-1/4"-radius profile cover mounted over continuous aluminum retainer
- Heavy-duty protection for door frames in high-impact areas
- Top and bottom caps "lock" profile cover in place
- Retainer modified to fit almost any door frame style
- Available in 50 standard colors with no minimums
- Custom colors available (minimums apply)



**F360**

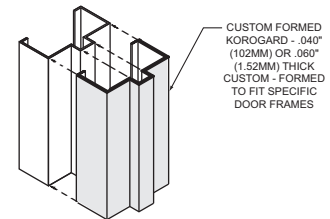


**F360**



## Model F104/F106 Door Frame Protector

- Greatly reduces maintenance costs on expensive door frames
- Custom-made to meet your exact dimensions
- "Return legs" for improved product performance
- No draw-down or product thinning
- Standard thicknesses: .040" and .060"
- Installed with contact cement
- Available in 50 standard colors with no minimums
- Custom colors available (minimums apply)



**F104/F106**

## Korogard® Measuring Tips

When considering a Model F104/F106 Door Frame Protector, please use a door frame template sheet and fill in the appropriate dimensions. Call your Korogard representative at 800-628-0449 for assistance in measuring your door frame and requesting samples.

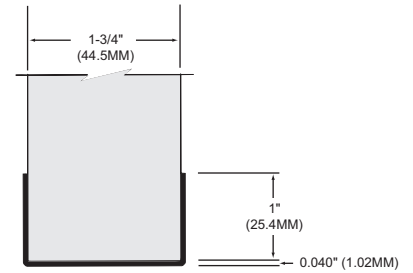
Left: Korogard Textured Stainless Steel Kickplate and Pushplate  
Right: Korogard Custom Formed Door Frame Protector





## Custom Formed Door Edge Protector

- Designed to prevent damage inflicted on door edges
- Standard dimensions: 1" x 1-3/4" x 1"; custom dimensions available
- Standard thicknesses: .040" and .060"
- Installed with contact cement
- Available in 50 standard colors with no minimums
- Custom colors available (minimums apply)



**Custom Formed Door Edge Protector**



## Custom Formed Corner Guard

- Provides light- to medium-impact protection at an economical cost
- Standard dimensions: 1" x 1", 1-1/2" x 1-1/2", 2" x 2", 3" x 3"; custom dimensions available
- Standard thicknesses: .040" and .060"
- Installed with contact cement or construction adhesive
- Available in 50 standard colors with no minimums
- Custom colors available (minimums apply)



**Custom Formed Corner Guard**

Left: Korogard Custom Formed Door Edge Protector  
Right: Korogard Custom Formed Corner Guard



# Korogard®

## Custom Solutions

### Got a challenge? We've got your solution.

At Koroseal®, we never shy away from custom wall protection challenges. In fact, we welcome them. With Ed Frey and the rest of our custom solutions crew on the job, there's no special request we can't handle. Got a challenge? Call 800-628-0449 for your solution.

- Custom wallcoverings
- Custom corner guards
- Custom handrails and crash rails
- Radius wall protection
- Custom door frame protection
- Custom column protection
- Complete custom wall protection systems
- Traffic Patterns® wallcovering



Ed Frey, Master Craftsman



**The Challenge:** Wall protection for a high-traffic cafeteria.

**The Solution:** Koroseal wrapped columns.



**The Challenge:** Door jambs need just as much protection as rest of wall surfaces.

**The Solution:** Korogard custom door frame protection.

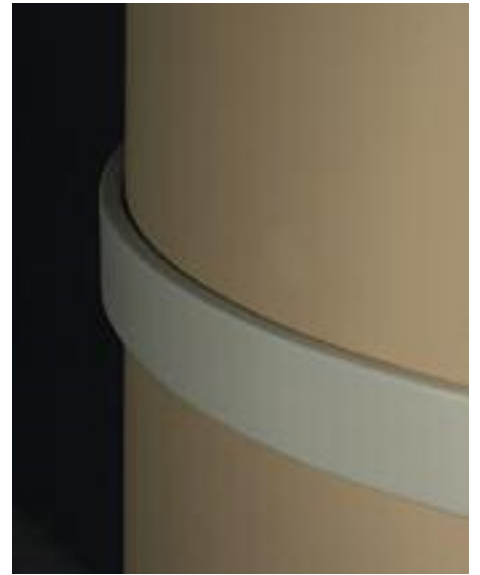






**The Challenge:** Continuous combination of flat and curved wall surfaces.

**The Solution:** Korogard custom handrails.



Custom Solutions



**The Challenge:** Unpredictable facility parameters demand unique wall protection products.

**The Solution:** Korogard custom formed products.

## One Custom Solution After Another

How does Ed ensure that our clients get exactly what they're looking for? For over 15 years, Korogard's® "systems" approach to wallcoverings has allowed us to offer custom solutions based on what works best for you. From handrails and crash rails to custom formed products, Korogard can deliver wall protection systems around any facility parameters. To learn more, visit [korogard.com](http://korogard.com) today.

# Korogard®

## Protective Wallcovering

- Semi-rigid Korogard® sheet designed for use in high-traffic areas
- Integral color helps to conceal scratches, dents, and gouges
- Standard thicknesses: .028", .040", and .060"
- Custom thicknesses: .080" and .125"
- Standard texture: P1 Haircell
- Custom texture: PK Cashmere

- Standard sheet size: 48" x 96"
- .028" and .040" also available in rolls; standard roll size: 48" x 120'
- Rub strips, kickplates, and pushplates also available
- Available in 50 standard colors with no minimums
- Custom colors, sizes, and textures available with minimums and lead times



- Standard thicknesses are Class A Fire Code compliant when installed with recommended adhesives (as classified by UL and ULC [Canada])



### Korogard® Kickplates & Pushplates

- Provides protection against constant abuse from mobile equipment and pedestrian traffic
- Custom-made to meet specific requirements
- Available in 4" to 24" widths and lengths up to and including 96"
- Available in 50 standard colors with no minimums
- Available in stainless steel #4 satin finish and five textures



### Korogard® Rub Strips

- Provides protection against constant abuse from mobile equipment and pedestrian traffic
- Custom-made to meet specific requirements
- Available in 4" to 24" widths and lengths up to and including 96"



### Korogard® Perforated Wallcovering

- Korogard® sheet perforated with repeating hole patterns
- Standard hole pattern: 3/32" diameter on 3/16" centers at 60 staggers (approximately 25% open area)
- Custom hole patterns available
- Can be used in store fixtures, display units, and many other applications

## Korogard® Beadboard

- Decorative sheet features a beadboard pattern to create a unique, multi-dimensional appearance
- Semi-rigid sheet provides protection against high-traffic abuse to preserve the lifetime of your walls
- Standard thickness: .040" and .060"
- Standard size: 48" x 96"
- Available in 50 standard Korogard colors as well as 10 Korowood™ wood grain patterns and 4 metallic options
- Custom sizes available (minimums apply)
- Meets Class A fire code requirements



## Korowood™ Wallcovering

Available in ten distinct patterns, Korowood™ wallcovering combines the natural look of wood with a durable wallcovering surface.



### Benefits/Advantages

- Standard Korowood sheet measures 48" x 96" with a thickness of .040"
- Available in 10 wood grain patterns
- Custom sizes available (minimums apply)
- Chemical- and stain-resistant to prevent discoloration and surface damage caused by strong cleansing agents
- Meets Class A fire code requirements (per independent laboratory testing)

### Features

- Korowood wallcovering offers unique wood grain patterns with complementing colored substrate sheet
- Manufactured using a rigid Korogard® substrate sheet with a wood grain cap
- Designed for light- to medium-abuse areas subject to impact



American Natural

Auburn Pear

Honey Maple

Manitoba Maple



Pearwood

Red Alder

Riga Birch

Rustic Cherry



Shaker Cherry

Summer Flame

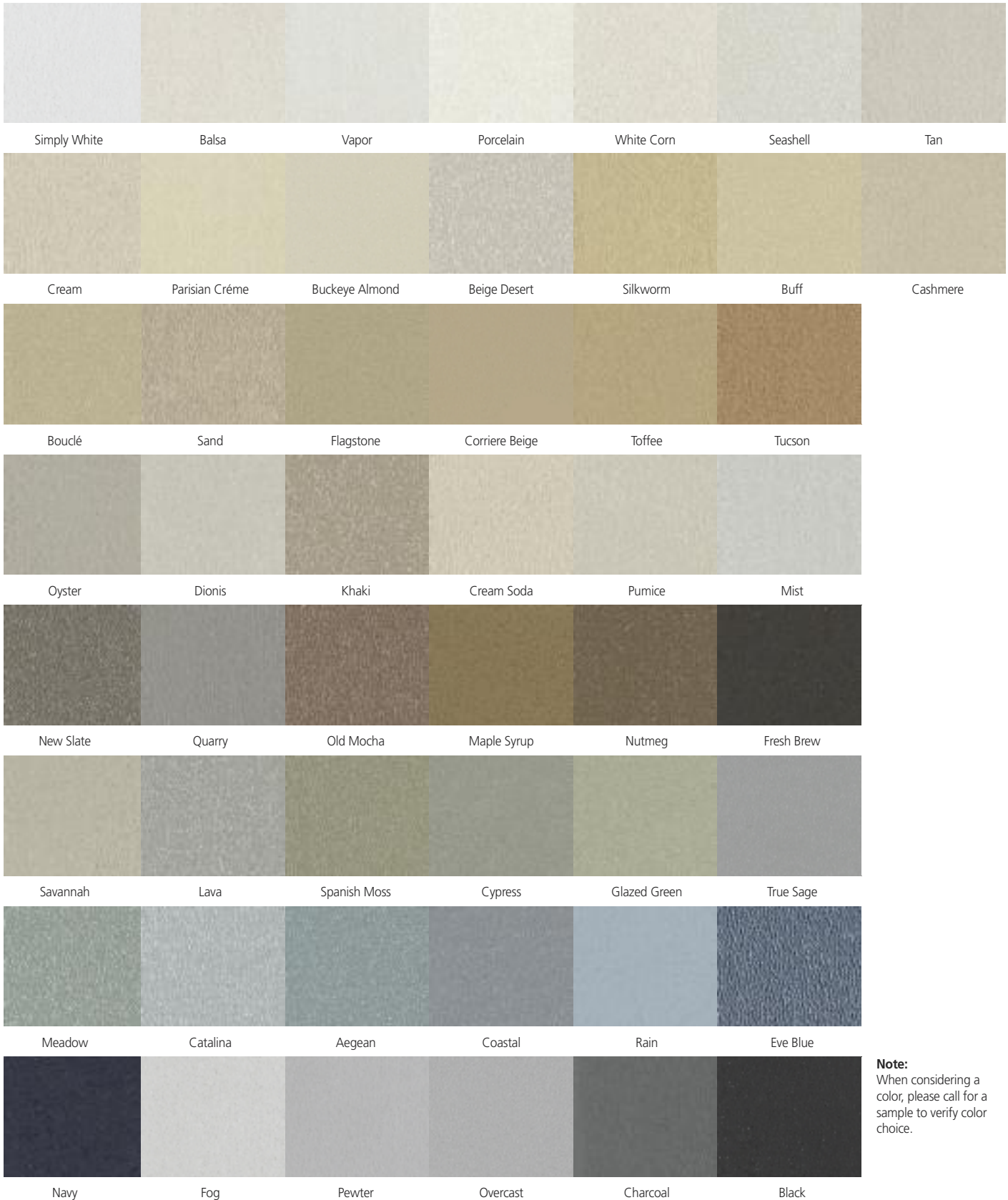
Korowood™ wallcovering patterns can be used individually or combined for a unique design solution.



# Standard Colors



Korogard® linear profiles and Korogard protective wallcoverings are available in 50 standard colors designed to coordinate with Koroseal® and Vicrtex® Wallcoverings. Linear profiles include handrails, crash rails, bumper guards, and surface- and recess-mount corner guards. Made in haircell texture, standard profile, wallcovering, and custom formed product surfaces are designed to conceal minor scratches and scrapes. Standard colors are available with no minimums; standard sheet color thicknesses include .028", .040", and .060".



**Note:**  
When considering a color, please call for a sample to verify color choice.

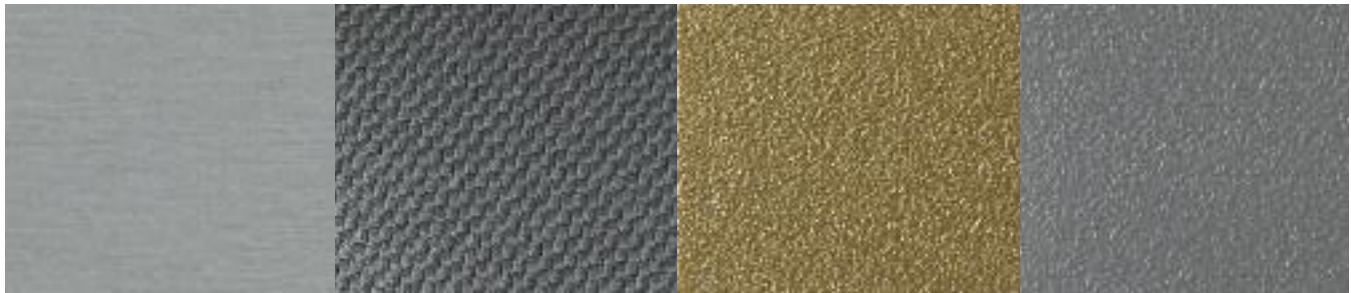
# Color Options



## Korogard® Metallic Options

Introduce elegance into your next project with Korogard's attractive metallic colors. Choose from four stand-out choices. Available for sheet and custom formed products, metallic colors are subject to minimum quantities and may require longer lead times.

*\*Standard in PK Cashmere Texture and .040" Thickness.*



Brushed Aluminum

Carbon Fiber

Bronze Metallic\*

Silver Metallic\*

## Korowood™ Hardwood Finishes

As with all hardwood products, Korowood™ handrails and chair rails will contain variations in color, grain, and texture. Since no two pieces will ever be identical, the varying appearances of these wood products are to be expected.



Ash-Natural (A1)

Ash-Red Oak (A2)

Ash-Cherry (A3)

Cherry-Natural (C1)

Cherry-Red Oak (C2)

Cherry-Cherry (C3)

Eucalyptus-Natural (E1)



Eucalyptus-Red Oak (E2)

Eucalyptus-Cherry (E3)

Maple-Natural (M1)

Maple-Red Oak (M2)

Maple-Cherry (M3)

Poplar-Red Oak (P2)

Poplar-Cherry (P3)



Red Oak-Natural (R1)

Red Oak-Red Oak (R2)

Red Oak-Cherry (R3)

## Korogard® Textures

Korogard sheets and custom formed products can be specified with your choice of textures. Some texture options are subject to minimum quantities and may require longer lead times.



P1-Haircell  
(Standard Texture)

PK-Cashmere



# Technical Data



## Chemical & Stain Resistance

After 30 Days Contact

Material	Chemical Resistance		Staining Tendency	
	73°F	140°F	73°F	140°F
Leistol®	No Change	Slight Attack	None	Slight
Household Ammonia	No Change	Slight Attack	None	Slight
Regular Exxon Gasoline	No Change	—	Very Slight	—
Tomato Juice	No Change	No Change	Very Slight	Medium
Tea	No Change	No Change	Slight	Slight
Coffee	No Change	No Change	Very Slight	Medium
Isopropyl Alcohol	No Change	—	None	—
Mustard	No Change	No Change	Slight	Medium
Clorox®	No Change	No Change	None	Slight
Soda	No Change	No Change	None	Slight

## Fire Code Selection Guide

Gauge	Korogard 500	Korogard 600
.028" (0.71mm)	◆	
.040" (1.02mm)	◆	
.060" (1.52mm)	◆	
.080" (2.03mm)	▼	◆
.125" (3.18mm)		◆

◆ Signifies products that meet or exceed Class A Fire Code criteria.  
▼ Signifies products that meet or exceed Class B Fire Code criteria.

## Fire Retardancy Data

Korogard® 500

Property	Test Parameter	Value
Korogard Fire gas toxicity*	LC50 Temp. @ 1% sample mass loss Max. CO concentration Max. CO <sub>2</sub> concentration	9.90g 601°F (316°C) 5500 ppm @ 880°F (471°C) 0.90% @ 981°F (527°C)
CAN/ULC-S102.2-M88 (.028"-.040")	FSC1 SD	0 <5
Flame Spread** (ASTM E-84)	.060" or less .093" or less	25 35
Smoke Developed** (ASTM E-84)	.060" or less .093" or less	40 350-450

\* Filled in compliance with Article 15, Part 1120 of New York State Uniform Fire Prevention & Building Code.

\*\* Underwriters Laboratories, Inc. file #R6738. Product applied to a nonflammable substrate using 3M's Fastbond 30® contact adhesive at an application rate of 130 sq. ft. per gallon.

## Fire Retardancy Data

Korogard 600

Property	Test Parameter	Value
Flame Spread (ASTM E-84)	.080" ** .093" ** .125" **	25 20 20
Smoke Developed (ASTM E-84)	.080" ** .093" ** .125" **	325 390 440

\* NOTE: Independent test laboratory data. Product applied to a nonflammable substrate using 3M's Fastbond 30® contact adhesive at an application rate of 225 sq. ft. per gallon.

All Korogard Handrails comply with ANSI and conform with all applicable building codes, including UBC, SBCCI, BOCA, OSHA, and Life Safety.

## Sheet & Roll Selection Guide

	Standard Sheet and Rolls (No Minimum Requirement)	Special Order Sheet and Rolls (Minimums May Apply)
Colors	50 Standard Colors	Unlimited Custom Colors
Thicknesses	.028" (0.7mm) .040" (1.0mm) .060" (1.5mm)	.028" (0.7mm) .040" (1.0mm) .060" (1.5mm) .080" (2.0mm) .093" (2.4mm) .125" (3.2mm)
Texture(s)	P-1 Haircell	P-3 Velour Matte P-C Level Haircell P-E Smooth Nap P-K Cashmere
Sheet Size(s)	48" x 96" (1.22M x 2.44M)	24" x 96" (.61M x 2.44M) 36" x 96" (.91M x 2.44M) 36" x 120" (.91M x 3.05M) 48" x 120" (1.22M x 3.05M) 60" x 96" (1.52M x 2.44M) Custom Sheet Sizes Also Available
Roll Size(s)	48" x 120' (1.22M x 36.58M)  (.028" and .040" only)	24" x 120' (.61M x 36.58M) 36" x 120' (.91M x 36.58M) 48" x 120' (1.22M x 36.58M) Custom Roll Sizes Also Available (.028" and .040" only)

## Selected Average Properties of Korogard Protective Wallcovering\*

Property	Test Method	Value
Specific gravity	ASTM D-792	1.35-1.45
Tensile strength at yield (psi)	ASTM D-638	6,000
Modulus of elasticity (psi)	ASTM D-638	324,000
Elongation at break (%)	ASTM D-638	154
Maximum flexural strength (psi)	ASTM D-790	10,200
Modulus of elasticity (psi)	ASTM D-790	347,000
Hardness		
Durometer Shore D	ASTM D-2240	77
Rockwell L	ASTM D-785	57
Impact strength		
Charpy unnotched (ft.-lbs./1/2" x 1") 73°F (23°C) 32°F (0°C)	ASTM D-256	No Break No Break 12-18
Izod notched (in.-lbs./in. of notch)	ASTM D-256	
Heat deflection temperature (HDT) @ 264 psi (annealed)	ASTM D-648	165°-170°F (74°-76.5°C)
Thermal expansion		
Coefficient of linear thermal expansion (in./in.-°F x 10 <sup>-5</sup> ) 100°F (38°C) 60°F (16°C)		4.5 4.2
Shear strength (psi)	ASTM D-732	4,500
Abrasion resistance Taber test (wt. loss in grams CS-10 wheels, 1 kg/wheel, 1000 cycles)	ASTM D-1044	0.015

\* NOTE: These are typical sheet properties and are not to be used to establish minimum material specifications. They are the latest available at the time of publication and are authentic to the best knowledge of Koroseal®. Properties are listed solely to give general guidance and are not to be construed as a warranty of any type.

All data refers to Korogard 500 and Korogard 600.



# Superior Wall Protection. Comprehensive Marketing Solutions.

To find a representative who can assist you with your next project, visit **korogard.com** or call **800-628-0449**.



## A Winning Combination

At Koroseal, our relationship with our dealers doesn't end with our top-notch product line. A partnership with Korogard® also means access to our innovative marketing solutions. By offering a variety of resources, Koroseal works with our distribution network to ensure our end users have a complete selection of marketing materials at their fingertips.



## Korogard Online

Visit us online at korogard.com, a breakthrough site that includes a variety of product information including an Architect's Corner. A one-stop-shop for architects, korogard.com's Architect's Corner offers quick links to BIM projects, CAD drawings, specification sheets, and detailed installation instructions.

## Video Installation

Check out our online installation videos. Visit korogard.com or bellagard.com and click on the installations link in the menu to download Korogard's wallcovering and Bellagard's wall panel installation videos.



## Spanish Installation Instructions

Spanish installation instruction sheets are now available! Visit korogard.com and click on the Installations link for a comprehensive listing of all English and Spanish installation sheets in PDF format.

## The Real Deal

If a product sample is what you need, Koroseal will be more than happy to accommodate your request. Give us a call, and we'll supply you with a sample of your choice.

Call Koroseal today at 800-628-0449 to learn how you can take advantage of our innovative marketing materials.



## Bellagard® Online

Visit Koroseal's newest product line at bellagard.com. A designer's dream come true, Bellagard® Wall Finishes collection includes everything you need to create a striking environment. Incorporating beautiful materials such as BellaLucent Rails, BellaStone Composites, BellaLaminates, Sculpted Wall Panels, Powder Coated Metals, Elegant Metals, and Elegant Woods. Bellagard is a new concept in interior wall finishings.



## Bellagard Product Designer

Koroseal is proud to announce the launch of the online Product Designer. An excellent way to visualize your final product, the step-by-step guide allows you to build a Bellagard handrail or chair rail. Visit bellagard.com to take advantage of this fun and easy way to specify your next product!



# Expanding our family of products.



Handrails



Protective Sheets



Corner Guards



Wall Panels



855-753-5474 • korogard.com • Division 10 26 00  
3875 Embassy Parkway • Fairlawn, Ohio • 44333-8330

800-440-0911 • metrowallcoverings.com  
2600B Steeles Avenue West • Concord, Ontario • Canada • L4K 3C8

Bellagard®, Korogard®, Korogreen™, Koroseal®, Koroklear®, Korowood™, option e™, RCV™, Sound Designs™, tac•wall®, Traffic Patterns®, Victrex®, and walltalkers® are trademarks and registered trademarks of Koroseal Interior Products, LLC. Exxon® is a registered trademark of Exxon Mobil Company. Forest Stewardship Council® and FSC® are registered trademarks of Forest Stewardship Council International. LEED® is a registered trademark of the United States Green Building Council. Lestoil® and Clorox® are registered trademarks of The Clorox Company. Lexan® is a registered trademark of General Electric Company. Stufmaster® and Zolatone® are registered trademarks of Master Coating Technologies.

©2009-2014 Koroseal Interior Products, LLC. Koroseal Interior Products, LLC reserves the right to make design changes or to withdraw any design without notice.